


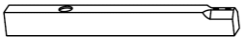
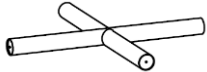
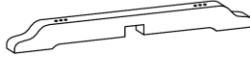
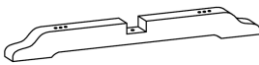
ASSEMBLY INSTRUCTIONS







MODEL : 2134

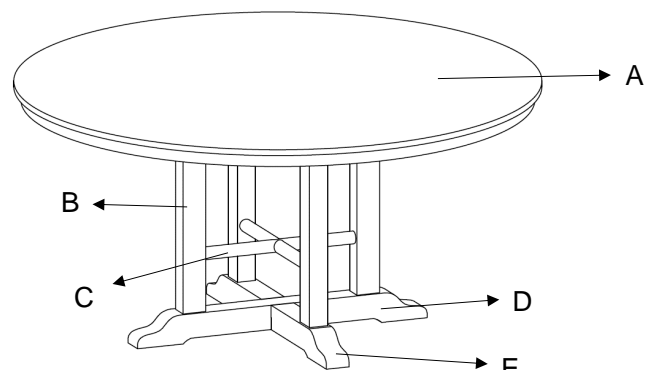
CRWN

2134T-60 ROUND DINING TABLE

Thank you for purchasing this quality product. Be sure to check all packing material carefully for small parts. Which may have come loose inside the carton during shipment. Identify and count all parts and compare with the hardware list as below.

| Part List | No. | Picture | Description | Qty |
|-----------|-----|--|----------------|-------|
| | A |  | Table Top | 1 Pc |
| | B |  | Leg | 4 Pcs |
| | C |  | Metal Crossbar | 1 Pc |
| | D |  | Upper Base | 1 Pc |
| | E |  | Lower Base | 1 Pc |

| Hardware List | No. | Picture | Description | Qty |
|---------------|---|---|------------------------------|--------|
| | 1 |  | Allen Wrench M4 | 1 Pc |
| | 2 |  | JCBC 50mm With Spring Washer | 1 Sets |
| | 3 |  | JCBC 90mm With Spring Washer | 8 Sets |
| | 4 |  | Allen Wrench M5 | 1 Pc |
| | 5 |  | JCBB 60mm With Washer | 8 Sets |
| 6 |  | Dowel | 4 Pcs | |



PARTS DETAILS

THE HARDWARE IS LOCATED IN THE PACKING ITEMS.

ASSEMBLY INSTRUCTIONS

MODEL : 2134

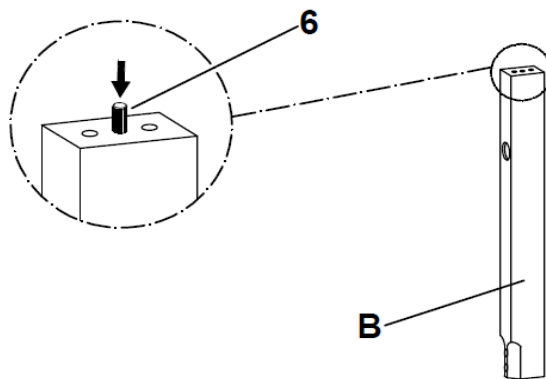
CRWN

2134T-60 ROUND DINING TABLE

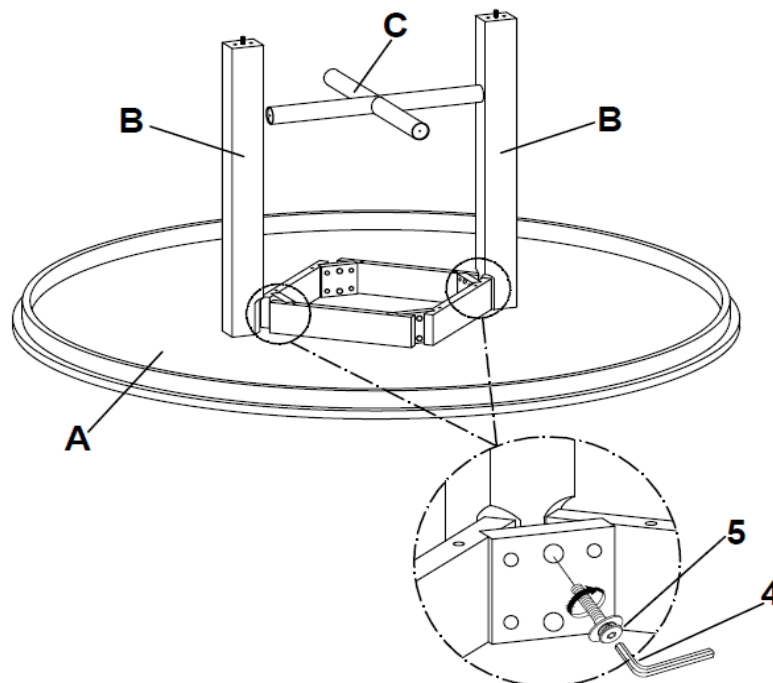
Thank you for purchasing this quality product. Be sure to check all packing material carefully for small parts which may have come loose inside the carton during shipment. Identify and count all parts and compare with the Part List as below.

** Assemble the table on flat, soft surface such as carpet or cloth to prevent scratching table finish. Read all the instruction and study the drawings carefully before starting the assemble process.

Step 1



Step 2



Remark: Please do not fully tighten bolts

ASSEMBLY INSTRUCTIONS

MODEL : 2134

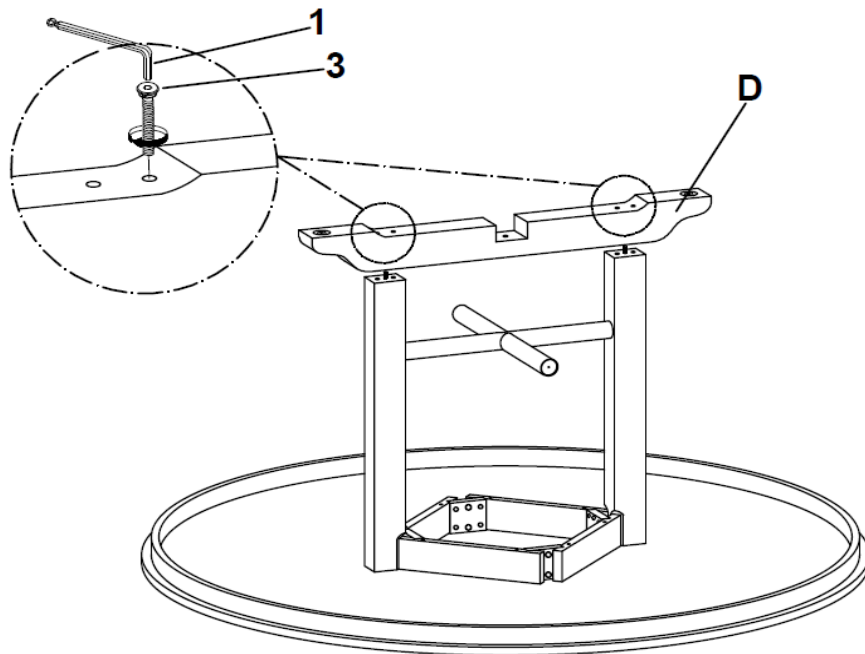
CRWN

2134T-60 ROUND DINING TABLE

Thank you for purchasing this quality product. Be sure to check all packing material carefully for small parts which may have come loose inside the carton during shipment. Identify and count all parts and compare with the Part List as below.

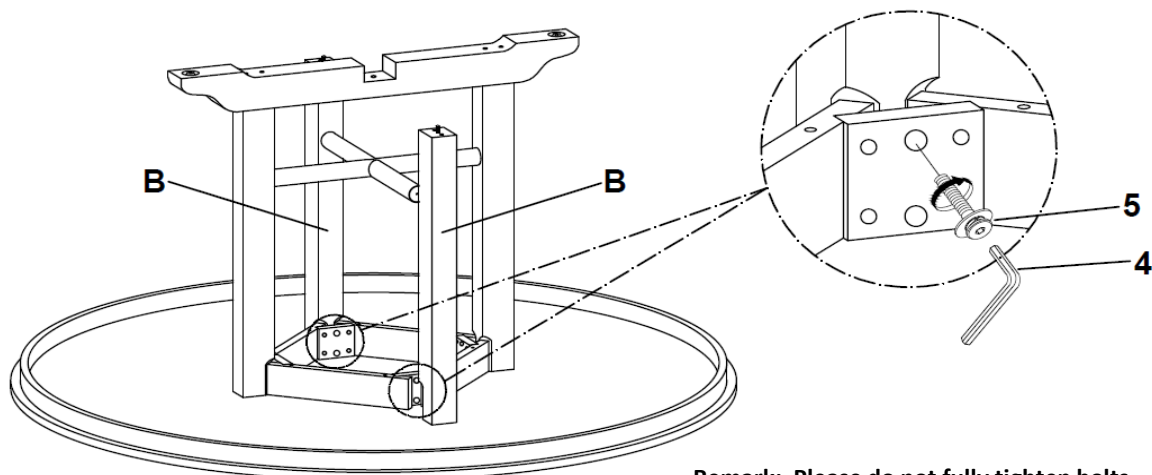
** Assemble the table on flat, soft surface such as carpet or cloth to prevent scratching table finish. Read all the instruction and study the drawings carefully before starting the assemble process.

Step 3



Remark: Please do not fully tighten bolts

Step 4



Remark: Please do not fully tighten bolts

ASSEMBLY INSTRUCTIONS

MODEL : 2134

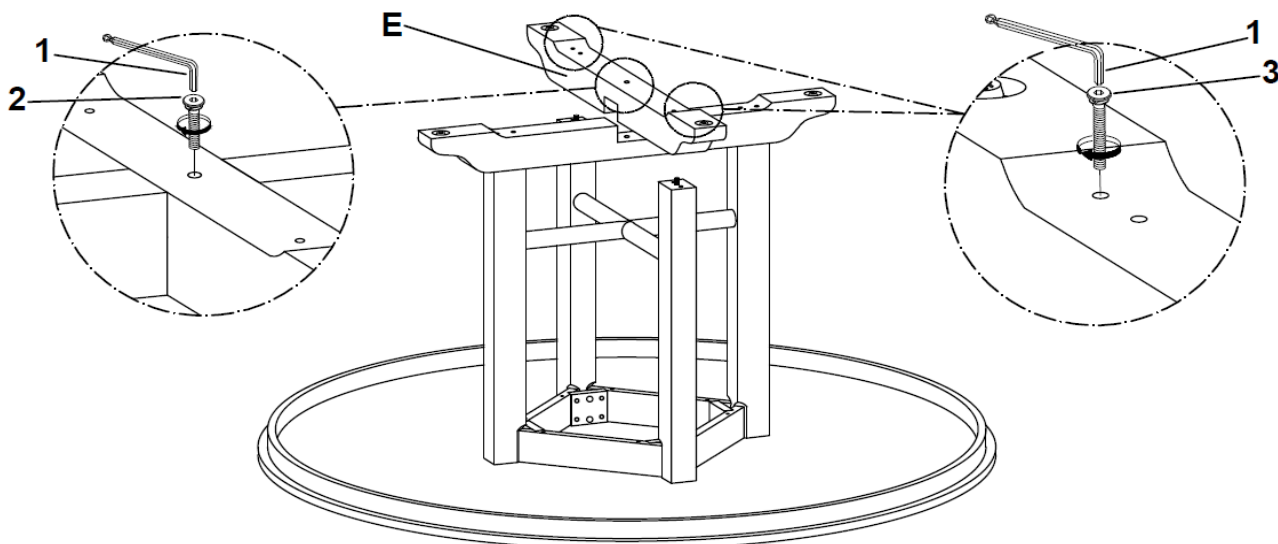
CRWN

2134T-60 ROUND DINING TABLE

Thank you for purchasing this quality product. Be sure to check all packing material carefully for small parts which may have come loose inside the carton during shipment. Identify and count all parts and compare with the Part List as below.

** Assemble the table on flat, soft surface such as carpet or cloth to prevent scratching table finish. Read all the instruction and study the drawings carefully before starting the assemble process.

Step 5



Remark: Please fully tighten all the bolts

Step 6

