


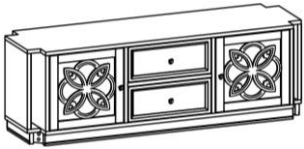
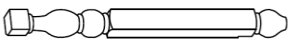
ASSEMBLY INSTRUCTIONS



MODEL : 2134

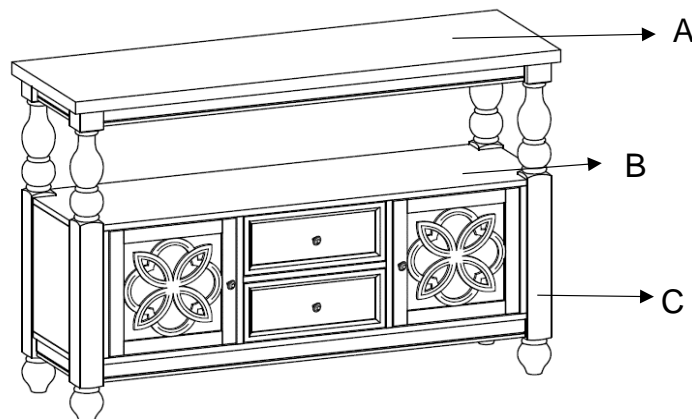
CRWN

2134-SB SIDEBBOARD

Thank you for purchasing this quality product. Be sure to check all packing material carefully for small parts. Which may have come loose inside the carton during shipment. Identify and count all parts and compare with the hardware list as below.

Part List	No.	Picture	Description	Qty
	A		Top	1 Pc
	B		Body	1 Pc
	C		Leg	4 Pcs

Hardware List	No.	Picture	Description	Qty
	1		Allen Wrench	1 Pc
2		JCBC 60mm With Washer	16 Pcs	



PARTS DETAILS

THE HARDWARE IS LOCATED IN THE PACKING ITEMS.

ASSEMBLY INSTRUCTIONS

MODEL : 2134

CRWN

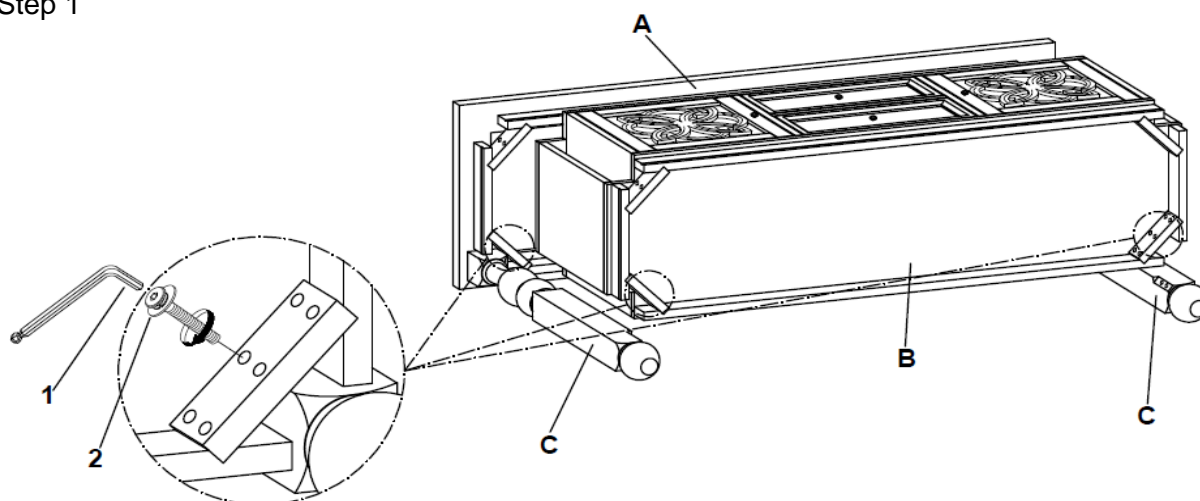
2134-SB SIDEBOARD

Thank you for purchasing this quality product. Be sure to check all packing material carefully for small parts which may have come loose inside the carton during shipment. Identify and count all parts and compare with the Part List as below.

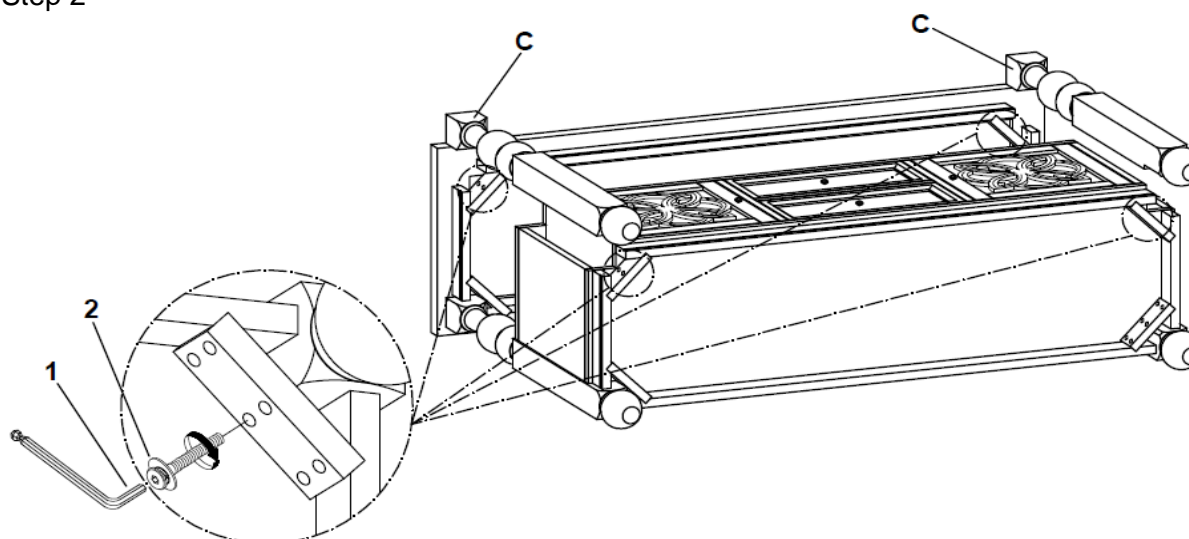
** Assemble the sideboard on flat, soft surface such as carpet or cloth to prevent scratching sideboard finish.

Read all the instruction and study the drawings carefully before starting the assemble process.

Step 1



Step 2



Remark: Please fully tighten all the bolts

ASSEMBLY INSTRUCTIONS

MODEL : 2134

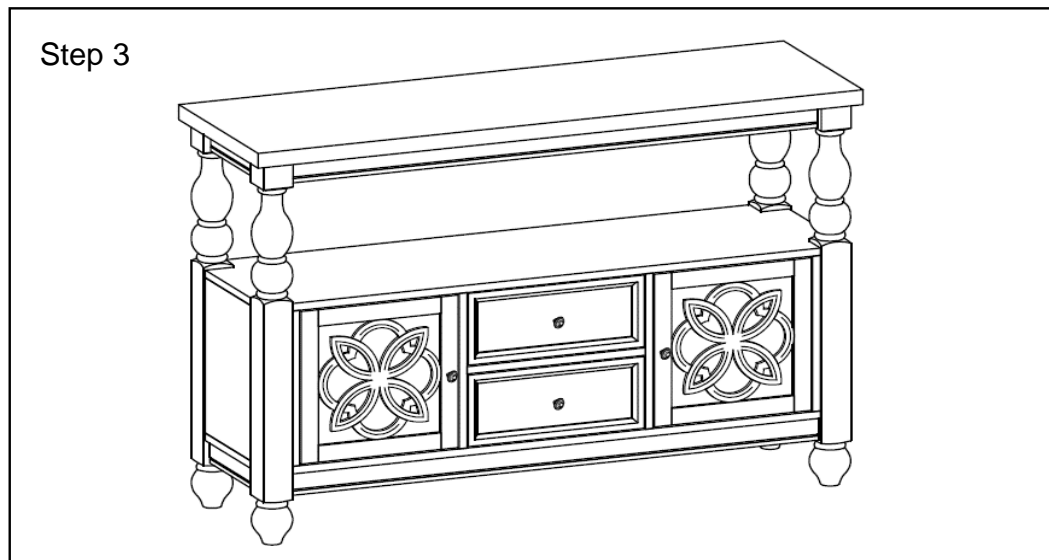
CRWN

2134-SB SIDEBOARD

Thank you for purchasing this quality product. Be sure to check all packing material carefully for small parts which may have come loose inside the carton during shipment. Identify and count all parts and compare with the Part List as below.

** Assemble the sideboard on flat, soft surface such as carpet or cloth to prevent scratching sideboard finish.

Read all the instruction and study the drawings carefully before starting the assemble process.



Step 4 - Optional to adjust the shelf

