

ASSEMBLY INSTRUCTIONS

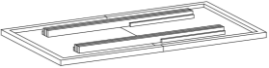
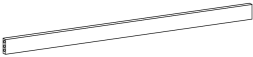
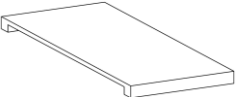
MODEL : 2130

CRWN

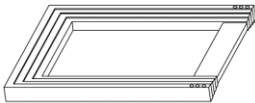
2130T-4289 -TOP / 2130T-4289 -LEG

Thank you for purchasing this quality product. Be sure to check all packing material carefully for small parts. Which may have come loose inside the carton during shipment. Identify and count all parts and compare with the hardware list as below.





Box 1: (Box Of Table Top)

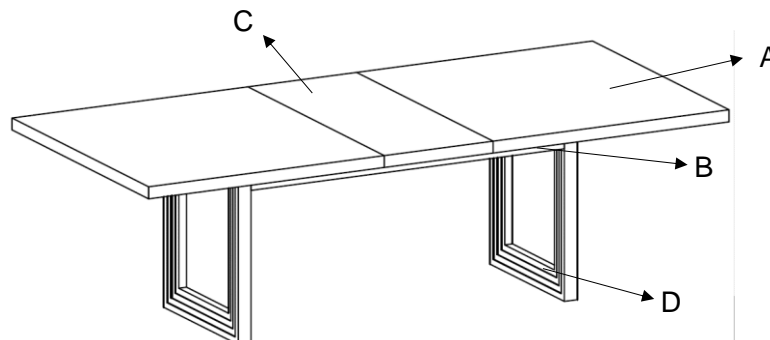
	No.	Picture	Description	Qty
Part List	A		Table Top	1 Pc
	B		Apron	2 Pcs
	C		Leaf	1 Pc

Box 2: (Box Of Table Leg)

	No.	Picture	Description	Qty
Part List	D		Leg	2 Pcs

Box 1: (Box Of Table Top)

	No.	Picture	Description	Qty
Hardware List	1		Allen Wrench	1 Pc
	2		Bolt With Spring Washer	14 Sets
	3		PVC Dowel	4 Pcs
	4		Wood Button	8 Pcs



PARTS DETAILS

THE HARDWARE IS LOCATED IN THE PACKING ITEMS.

ASSEMBLY INSTRUCTIONS

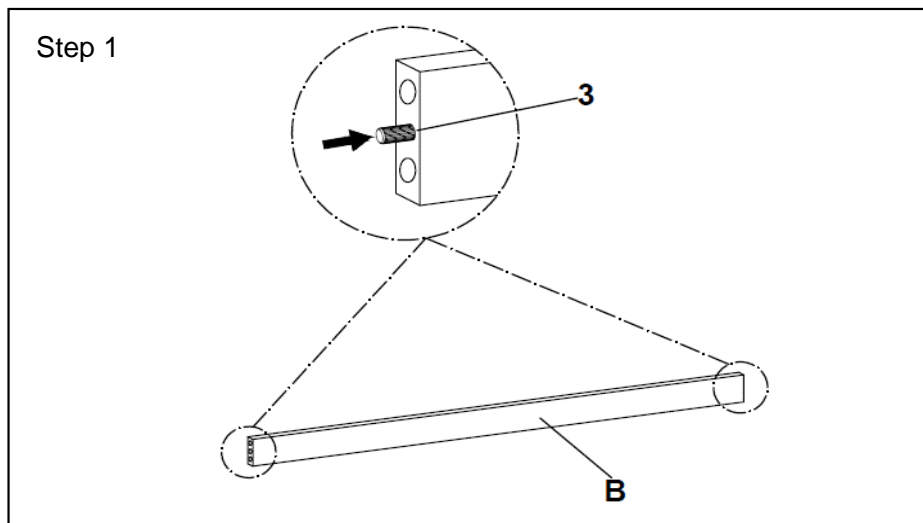
MODEL : 2130

CRWN

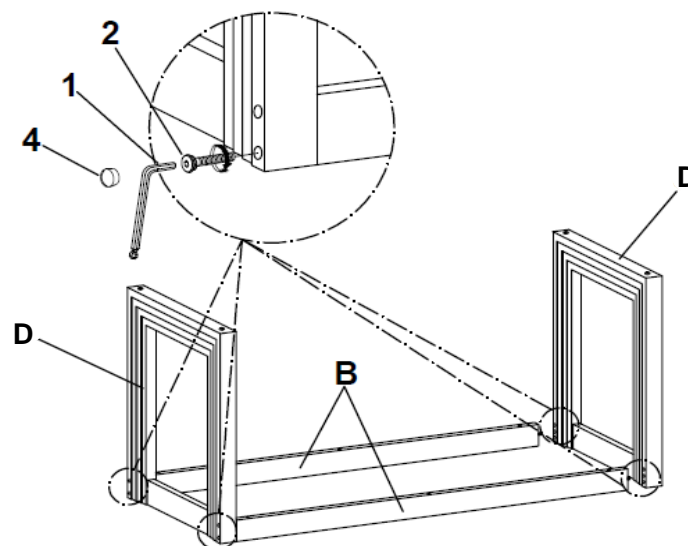
2130T-4289 -TOP / 2130T-4289 -LEG

Thank you for purchasing this quality product. Be sure to check all packing material carefully for small parts which may have come loose inside the carton during shipment. Identify and count all parts and compare with the Part List as below.

** Assemble the table on flat, soft surface such as carpet or cloth to prevent scratching table finish. Read all the instruction and study the drawings carefully before starting the assemble process.



Step 2



Remark: Please do not fully tighten bolts

ASSEMBLY INSTRUCTIONS

MODEL : 2130

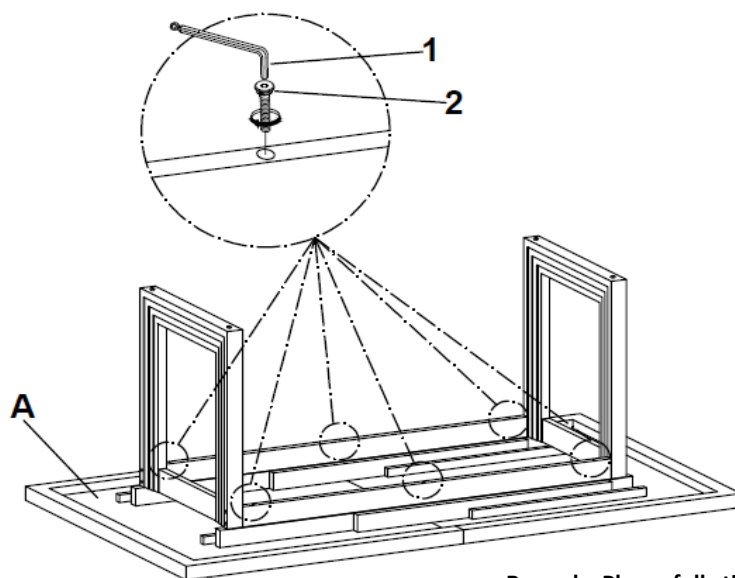
CRWN

2130T-4289 -TOP / 2130T-4289 -LEG

Thank you for purchasing this quality product. Be sure to check all packing material carefully for small parts which may have come loose inside the carton during shipment. Identify and count all parts and compare with the Part List as below.

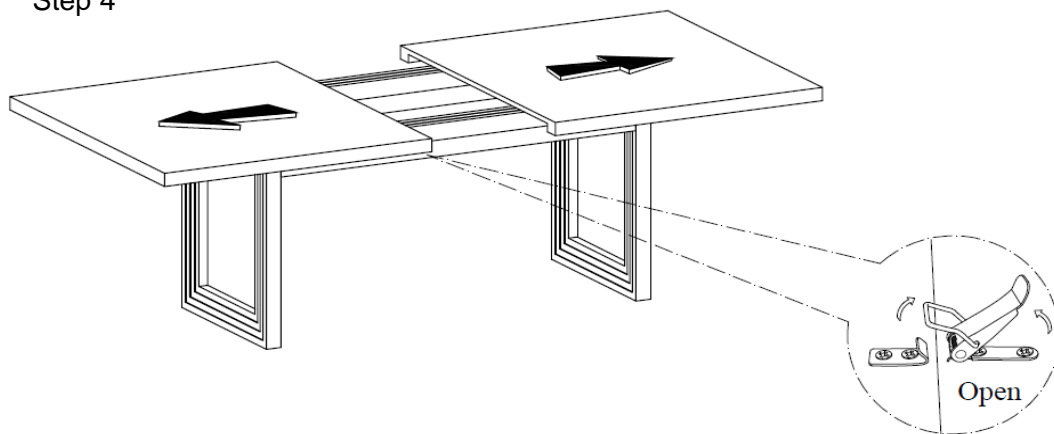
** Assemble the table on flat, soft surface such as carpet or cloth to prevent scratching table finish. Read all the instruction and study the drawings carefully before starting the assemble process.

Step 3



Remark: Please fully tighten all the bolts

Step 4



ASSEMBLY INSTRUCTIONS

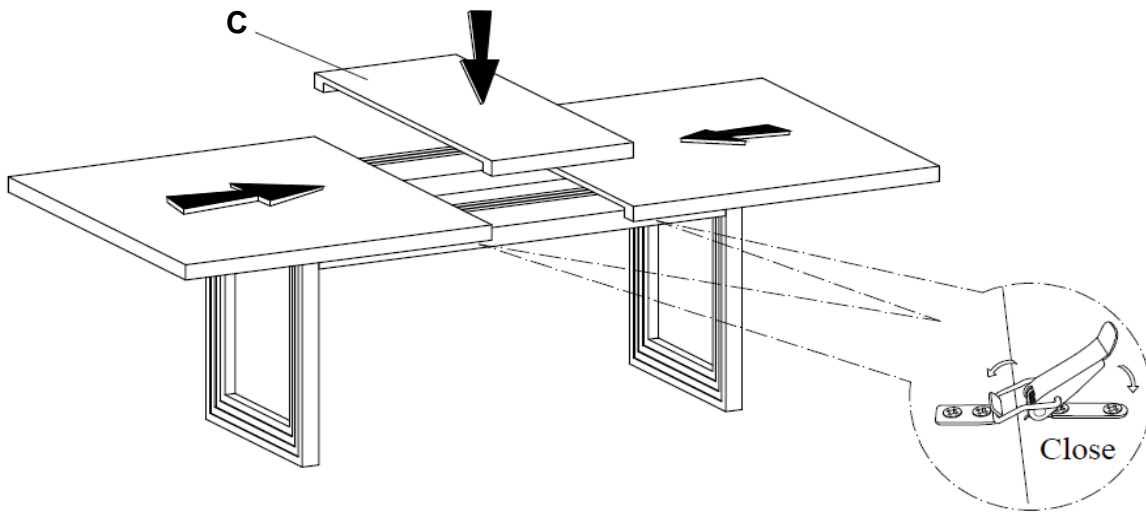
MODEL : 2130

CRWN

2130T-4289 -TOP / 2130T-4289 -LEG

Thank you for purchasing this quality product. Be sure to check all packing material carefully for small parts which may have come loose inside the carton during shipment. Identify and count all parts and compare with the Part List as below.

** Assemble the table on flat, soft surface such as carpet or cloth to prevent scratching table finish. Read all the instruction and study the drawings carefully before starting the assemble process.

Step 5**Step 6**