

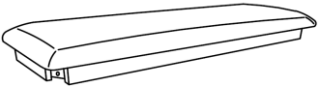
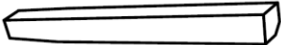
ASSEMBLY INSTRUCTIONS



MODEL : 2130

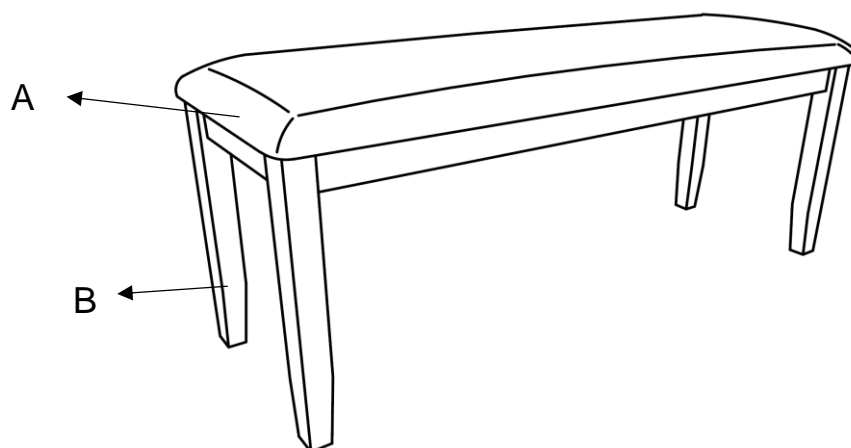
CRWN

2130-BENCH

Thank you for purchasing this quality product. Be sure to check all packing material carefully for small parts. Which may have come loose inside the carton during shipment. Identify and count all parts and compare with the hardware list as below.

Part List	No.	Picture	Description	Qty
	A		Seater With Frame	1 Pc
	B		Leg	4 Pcs

Hardware List	No.	Picture	Description	Qty
	1		Allen Wrench	1 Pc
	2		Bolt With Washer	8 Pcs



PARTS DETAILS

THE HARDWARE IS LOCATED IN THE PACKING ITEMS.

ASSEMBLY INSTRUCTIONS

MODEL : 2130

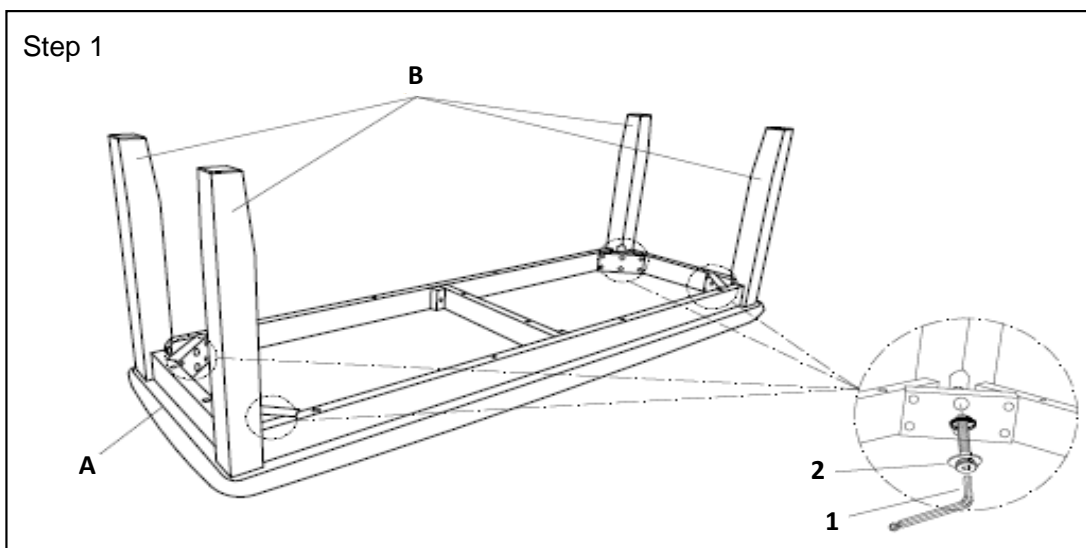
CRWN

2130-BENCH

Thank you for purchasing this quality product. Be sure to check all packing material carefully for small parts which may have come loose inside the carton during shipment. Identify and count all parts and compare with the Part List as below.

** Assemble the bench on flat, soft surface such as carpet or cloth to prevent scratching bench finish. Read all the instruction and study the drawings carefully before starting the assemble process.

Step 1



Step 2

