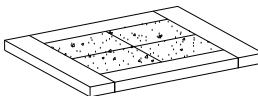
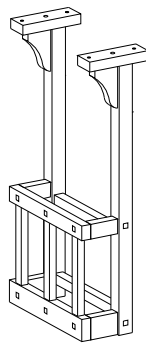
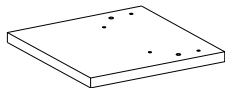

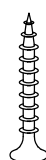


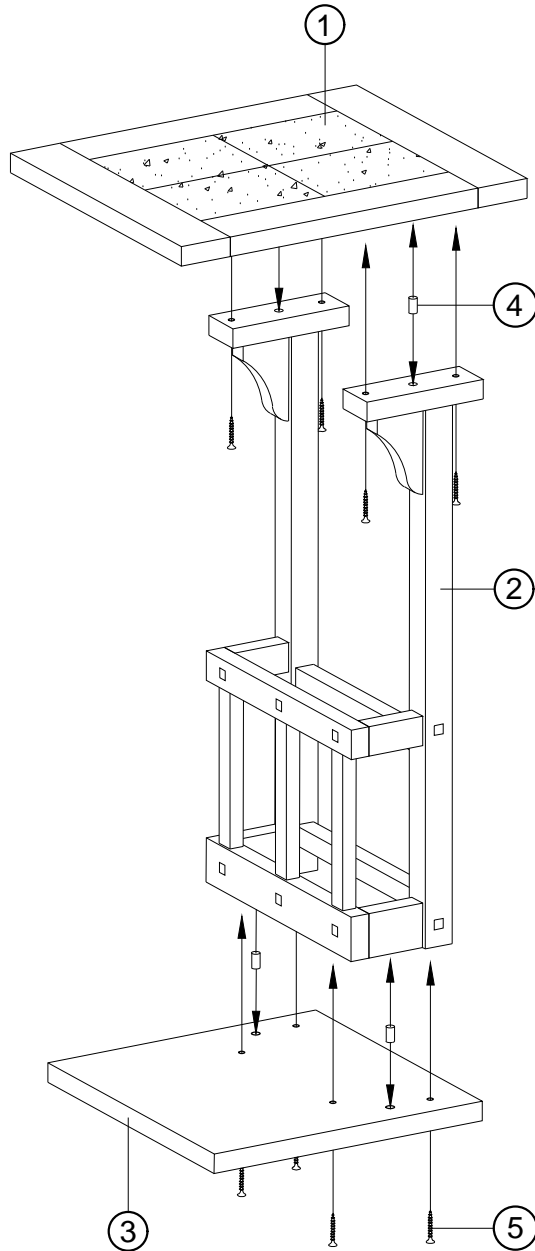
#2121DC2\RO2 Assembly Instruction

Part List

No.	Description	QTY
①		1pc
②		1pc
③		1pc

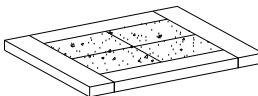
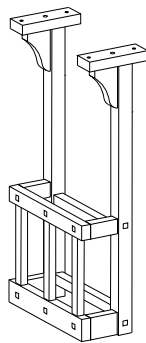
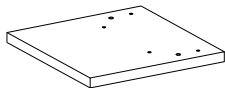
Hardware List

No.	Description	QTY
④		4pcs
⑤		8pcs


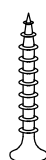


#2121DC2\RO2 Assembly Instruction

Part List

No.	Description	QTY
①		1pc
②		1pc
③		1pc

Hardware List

No.	Description	QTY
④		4pcs
⑤		8pcs

