



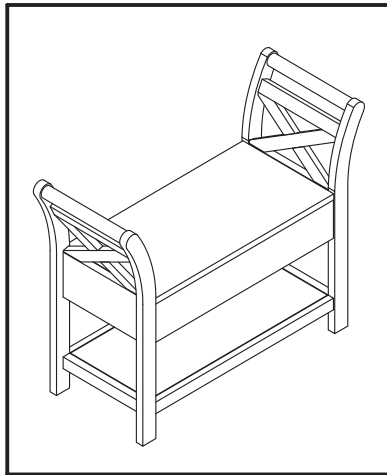
ASSEMBLY INSTRUCTIONS #2075

HARDWARE LIST

NO	SKETCH	HARDWARE	QTY
1		JCBC M8 x 40mm	12 pcs
2		Flat Washer	12 pcs
3		Spring Washer	12 pcs
4		Dowel Ø8 x 30mm	4 pcs
5		Allen Key	1 pc

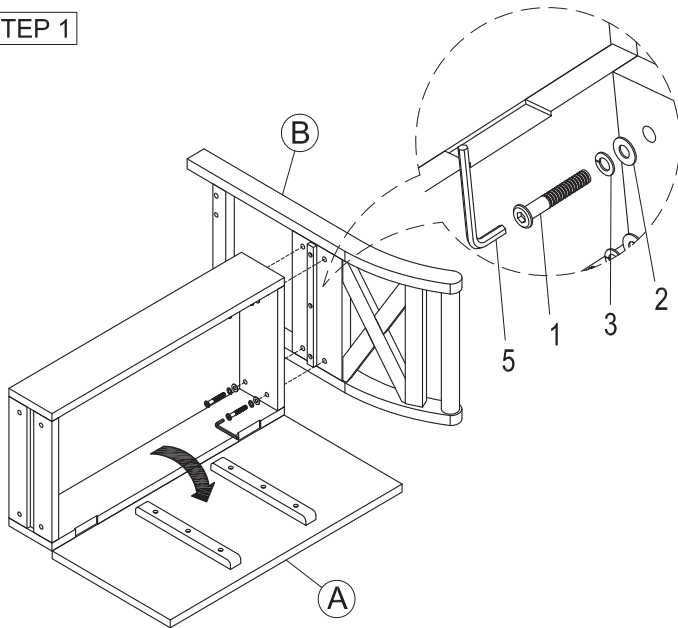
PART LIST

NO	DESCRIPTION	SKETCH	QTY
A	Seat Holder		1 pc
B	Leg		2 pcs
C	Shelf		1 pc

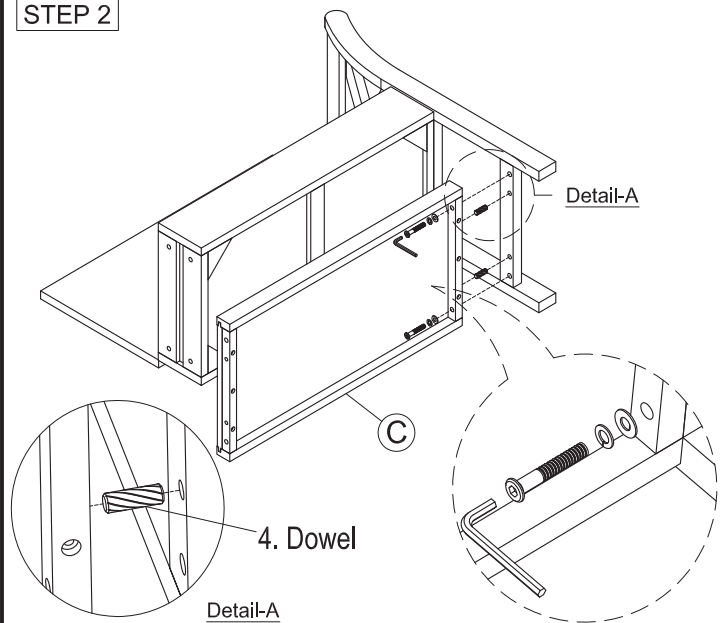


ASSEMBLY STEP

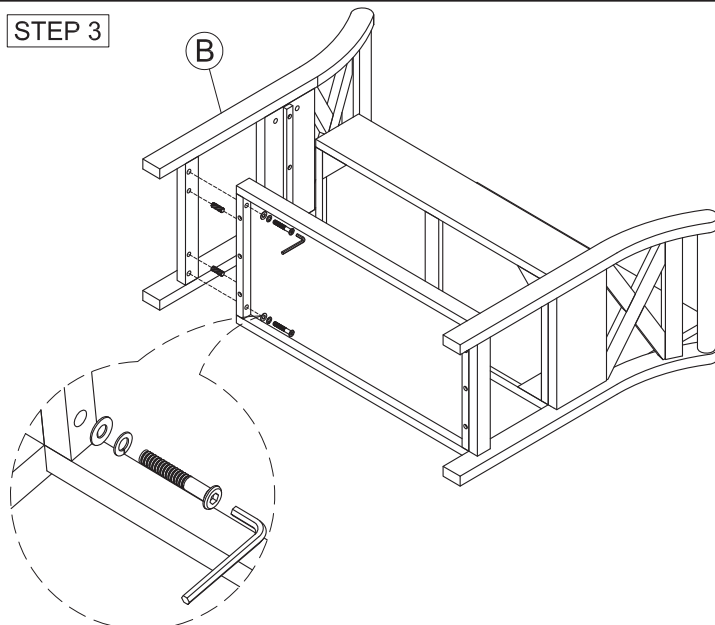
STEP 1



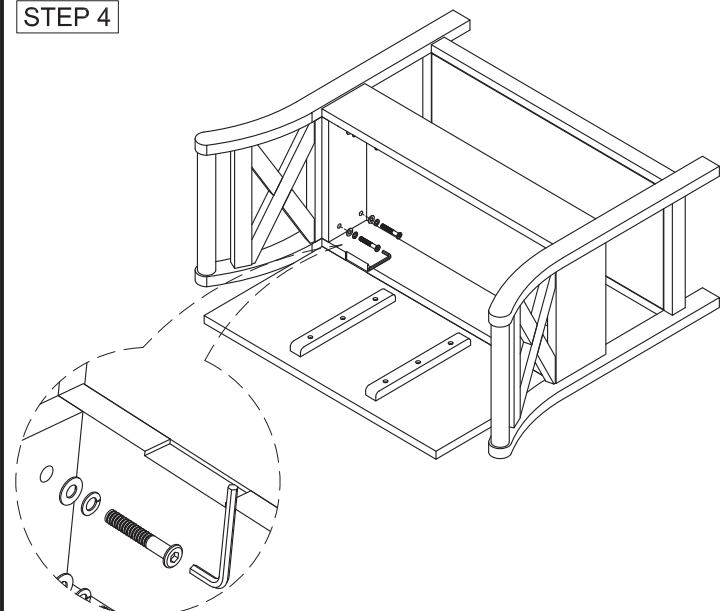
STEP 2



STEP 3

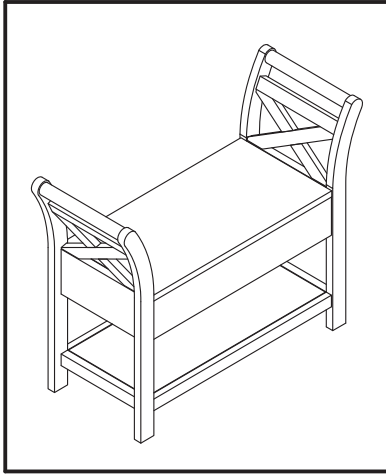


STEP 4





ASSEMBLY INSTRUCTIONS #2075



HARDWARE LIST

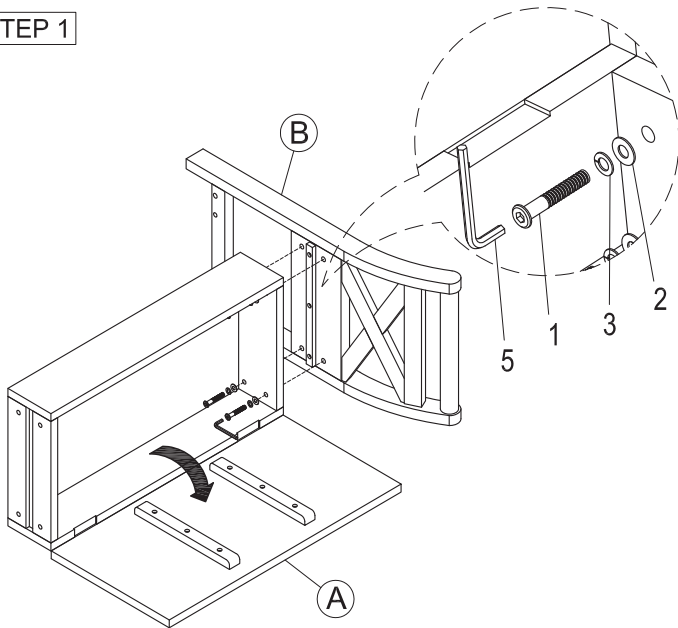
NO	SKETCH	HARDWARE	QTY
1		JCBC M8 x 40mm	12 pcs
2		Flat Washer	12 pcs
3		Spring Washer	12 pcs
4		Allen Key	1 pc

PART LIST

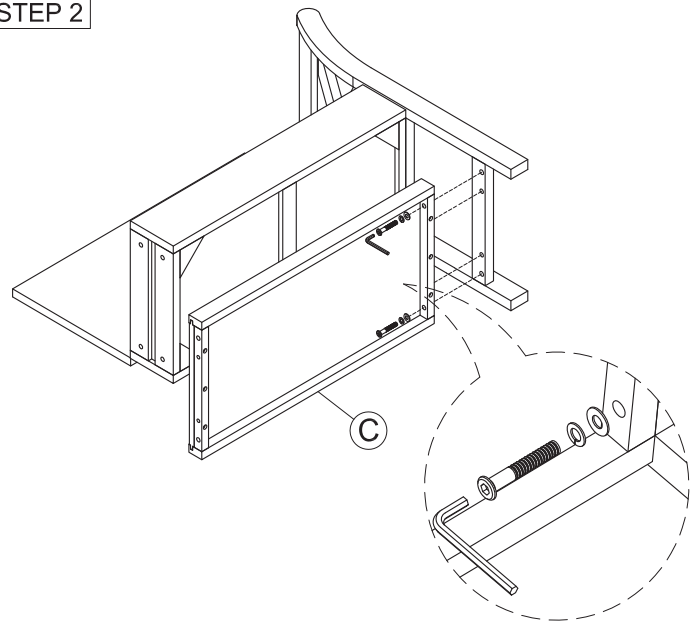
NO	DESCRIPTION	SKETCH	QTY
A	Seat Holder		1 pc
B	Leg		2 pcs
C	Shelf		1 pc

ASSEMBLY STEP

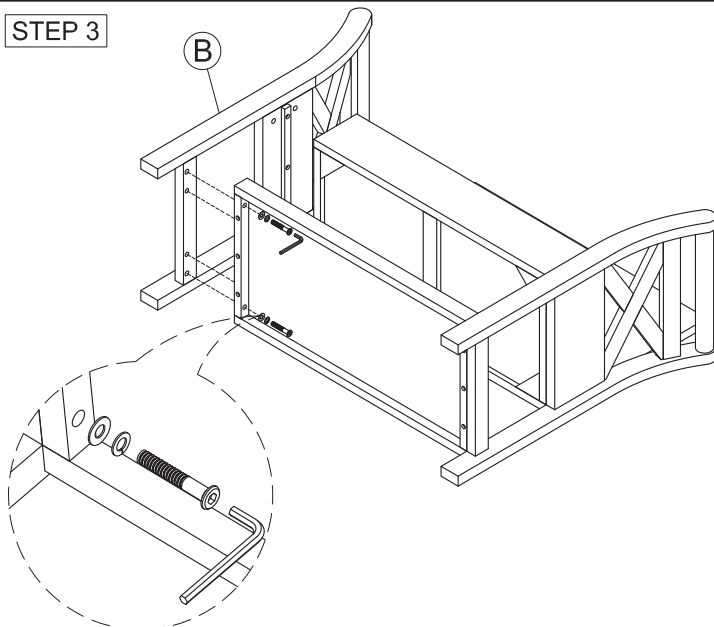
STEP 1



STEP 2



STEP 3



STEP 4

