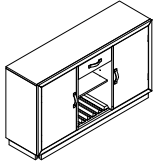
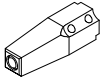




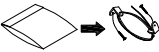


# ASSEMBLY INSTRUCTION

## JEFFRIES SIDE BOARD

### 2070-SB

PARTS LIST			
NO.	PART DESC		QTY
A	SERVER BODY		1
B	LEGS		4

HARDWARE LIST			
NO.	HARDWARE DESC		QTY
1		ALLEN BOLT (5/16"x50mm)	8
2		FLAT WASHER (5/16"x19mm)	8
3		SPRING WASHER (5/16"x14mm)	8
4		ALLEN KEY (M5)	1
5		ANTI TIPPING KIT	1

