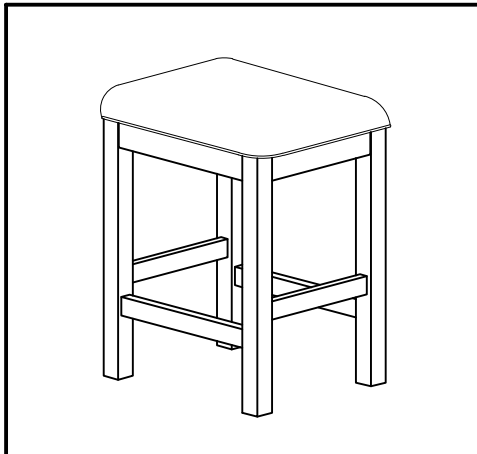




ASSEMBLY INSTRUCTION #2050TL-S



HARDWARE LIST

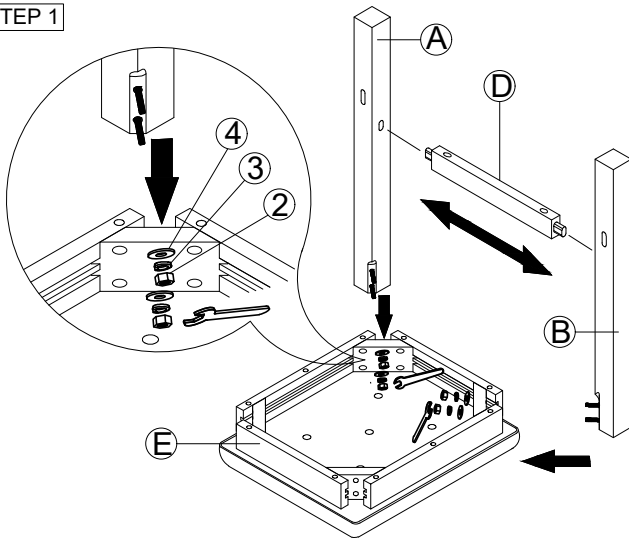
NO	SKETCH	HARDWARE	QTY
1		Screw M8 x 50	8 pc
2		Hexagonal Nut M8	8 pc
3		Spring Washer M8	8 pc
4		Flat Washer M8	8 pc
5		Wrench Key	1 pcs

PART LIST

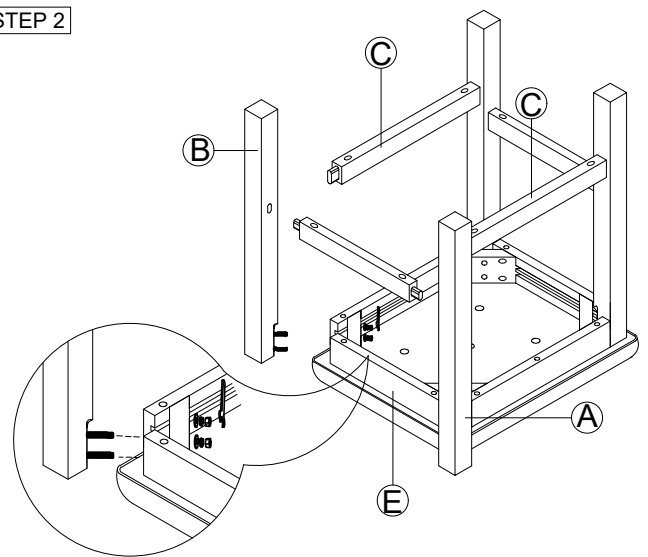
NO	DESCRIPTION	SKETCH	QTY
A	Leg A		2 pc
B	Leg B		2 pcs
C	Strecher		2 pc
D	Side Support		2 pc
E	Cushion Seat		1 pcs

ASSEMBLY STEP

STEP 1



STEP 2



STEP 3

