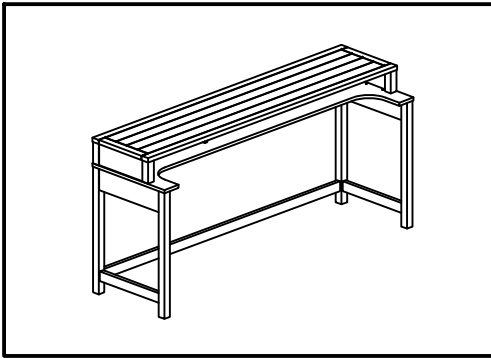




ASSEMBLY INSTRUCTION #2050TL-CT



HARDWARE LIST

NO	SKETCH	HARDWARE	QTY
1		JCBC M6 x 40	14 pcs
2		Allen Key	1 pc
3		Screw M8 x 50	2 pcs

PART LIST

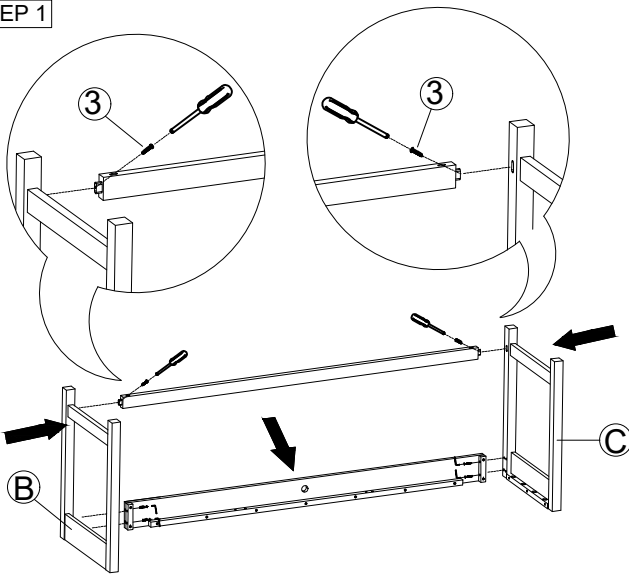
NO	DESCRIPTION	SKETCH	QTY
A	Top		1 pc
B	Leg X		1 pc
C	Leg Y		1 pc
D	Strecher		1 pc
E	Back Frame		1 pc



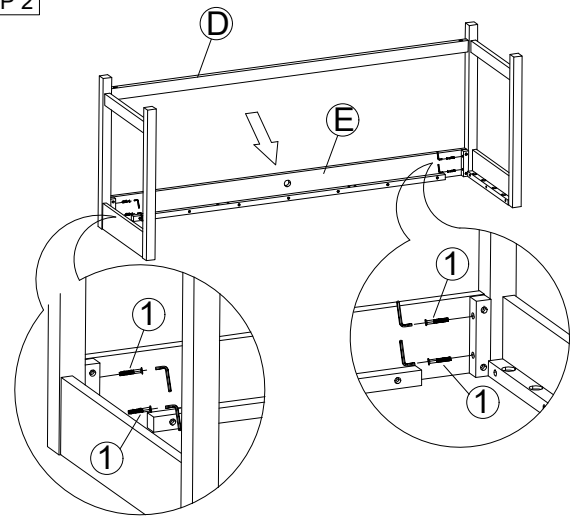
Phillip Headscrew driver
(not included)

ASSEMBLY STEP

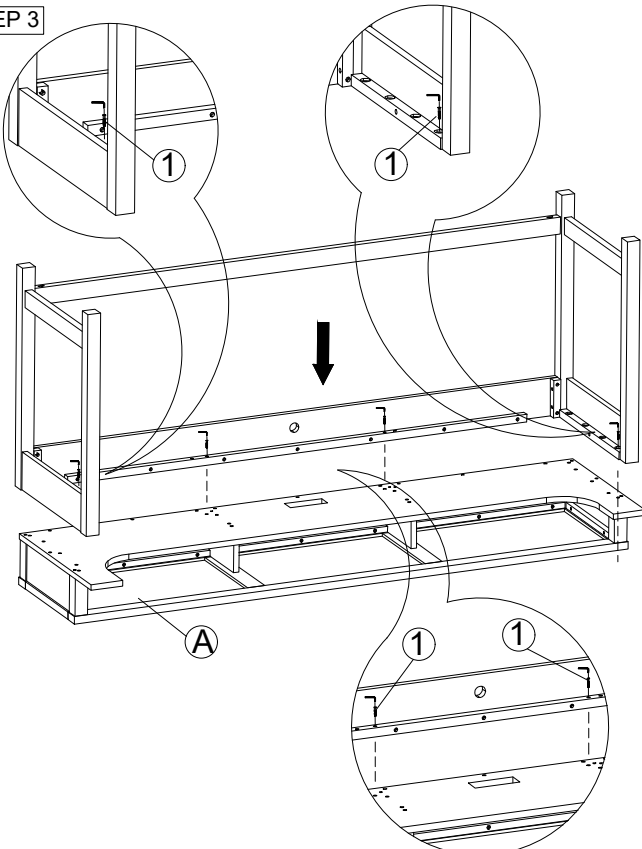
STEP 1



STEP 2



STEP 3



STEP 4

