



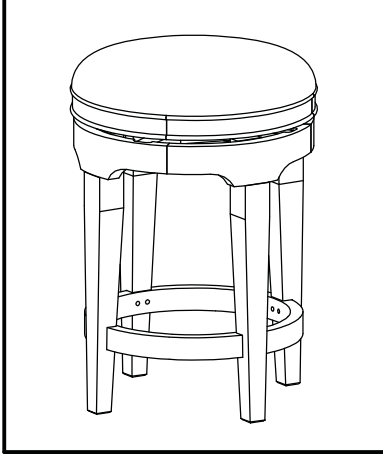
ASSEMBLY INSTRUCTIONS #2048-S

HARDWARE LIST

NO	SKETCH	HARDWARE	QTY
1		JCBC M6 x 40mm	16 pcs
2		Spring Washer M6	16 pcs
3		Flat Washer Ø13mm	16 pcs
4		Allen Key	1 pc
5		Phillip Headscrew driver (not included)	

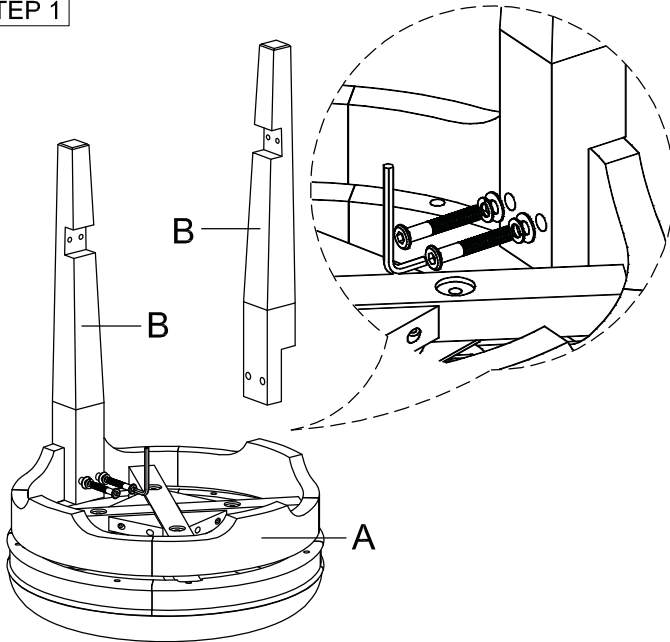
PART LIST

NO	DESCRIPTION	SKETCH	QTY
A	Side Panel		1 pc
B	Leg		4 pcs
C	Frame Support		1 pc

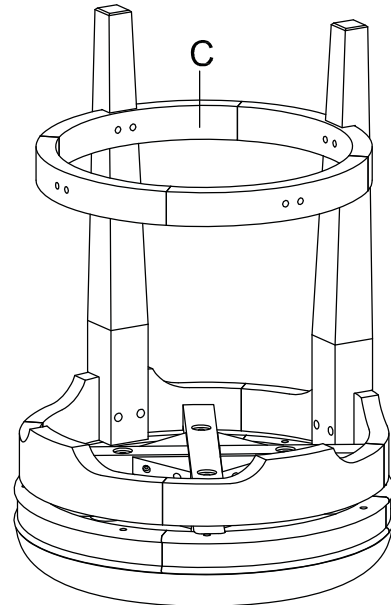


ASSEMBLY STEP

STEP 1



STEP 2



STEP 3

