



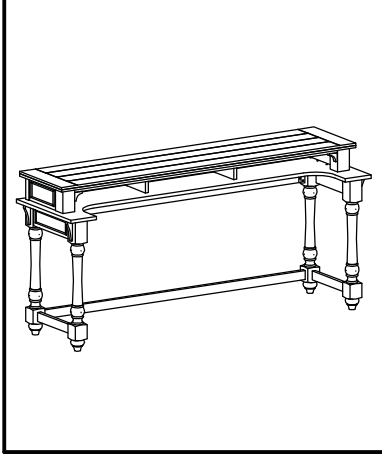
ASSEMBLY INSTRUCTIONS #2048-CT

HARDWARE LIST

NO	SKETCH	HARDWARE	QTY
1		JCBC M6 x 40mm	14 pcs
2		Screw Ø8 x 2"	2 pcs
3		Allen Key	1 pc
4		Phillip Headscrew driver (not included)	

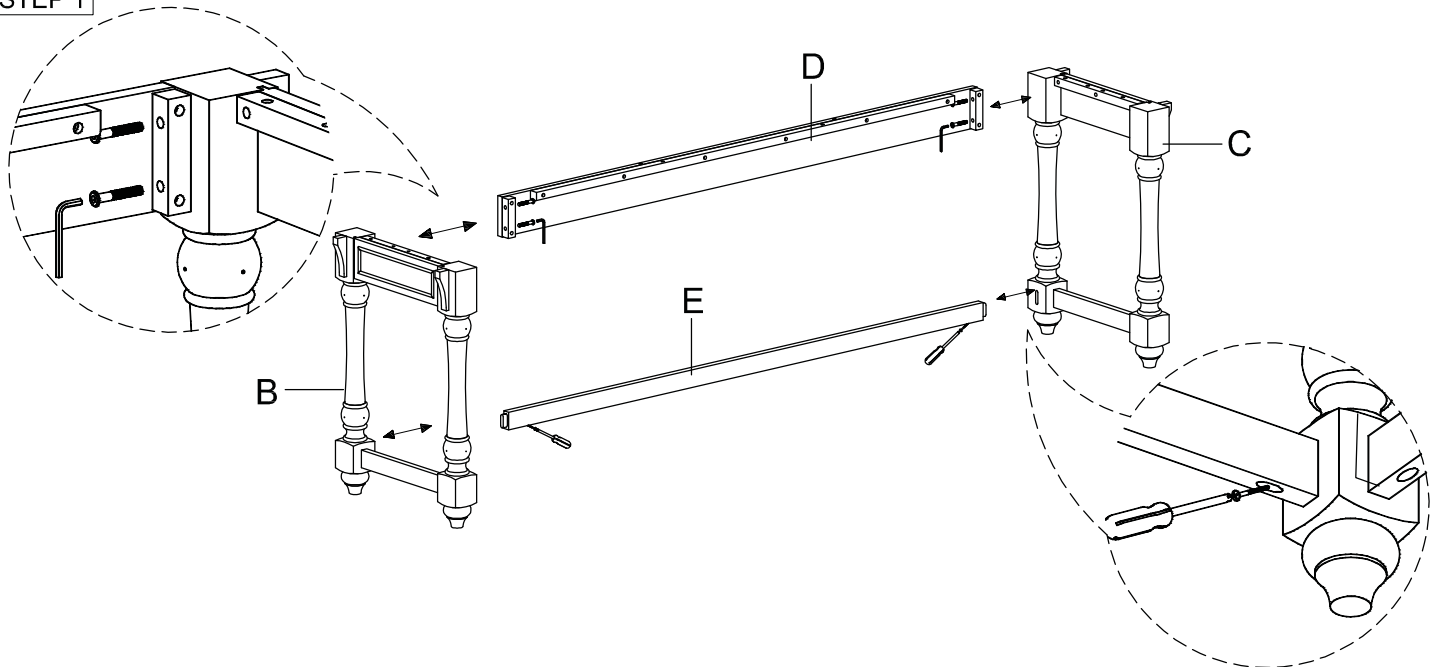
PART LIST

NO	DESCRIPTION	SKETCH	QTY
A	Body		1 pc
B	Left Side		1 pc
C	Right Side		1 pc
D	Strecher		1 pc
E	Support		1 pc



ASSEMBLY STEP

STEP 1



STEP 2

