





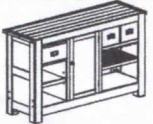




ASSEMBLY INSTRUCTIONS #1963

HARDWARE LIST

NO	SKETCH	HARDWARE	QTY
1		JCBC M6 x 40mm	10 pcs
2		JCBC M6 x 20mm	14 pcs
3		Allen Key	1 pc

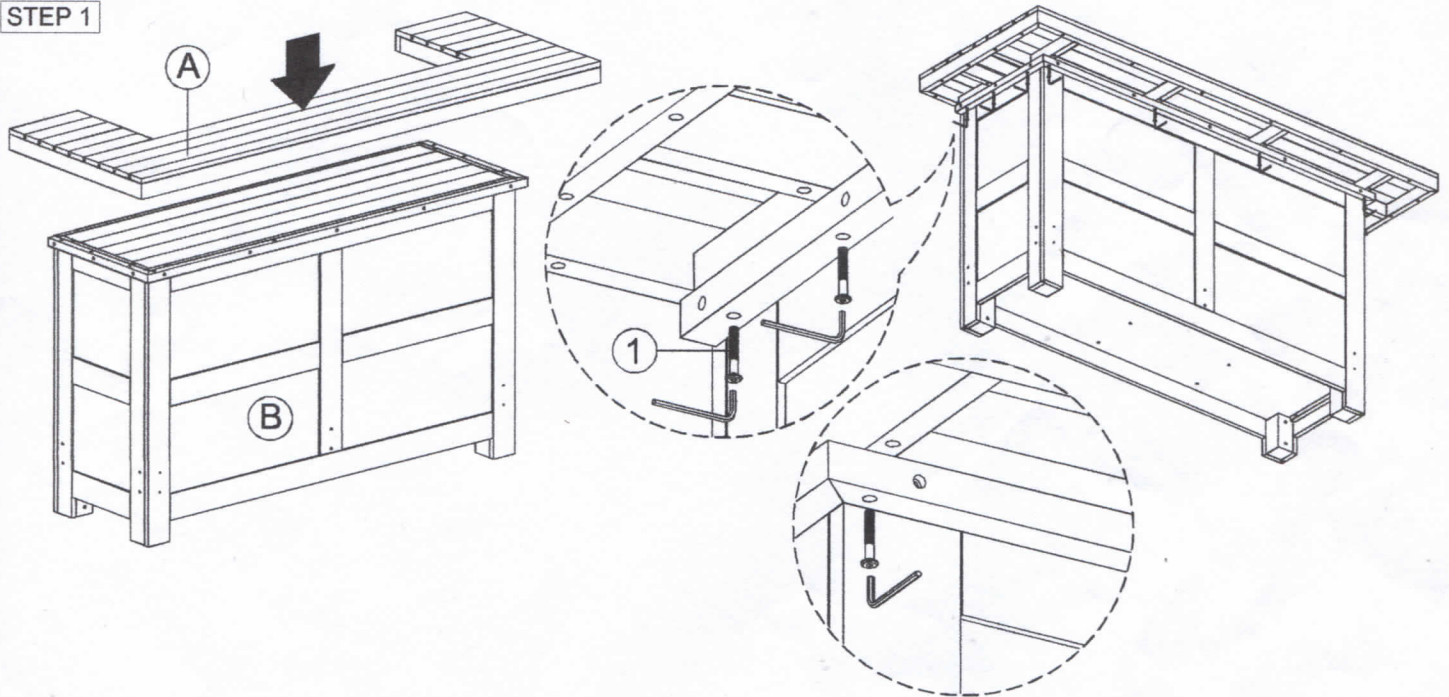
PART LIST

NO	DESCRIPTION	SKETCH	QTY
A	Top		1 pc
B	Body		1 pc
C	Metal Left		2 pcs
D	Metal Front		1 pc



ASSEMBLY STEP

STEP 1



STEP 2

