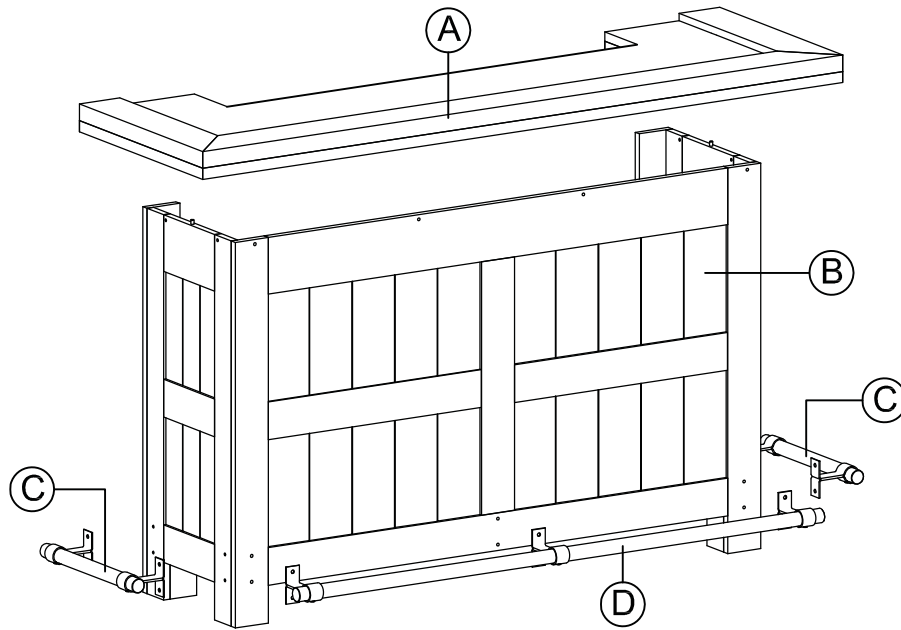


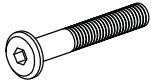


ASSEMBLY INSTRUCTIONS #1959 T&B



- A 1pc
- B 1pc
- C 2pcs
- D 1pc

E. JCBC M6 x 40mm (8pcs)



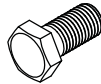
F. Spring Washer M6 (8pcs)



G. Washer Plat M6 (8pcs)



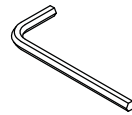
H. Hexagonal Bolt M8 x 20mm (14pcs)



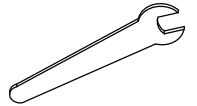
I. Washer Plat M8 (14pcs)



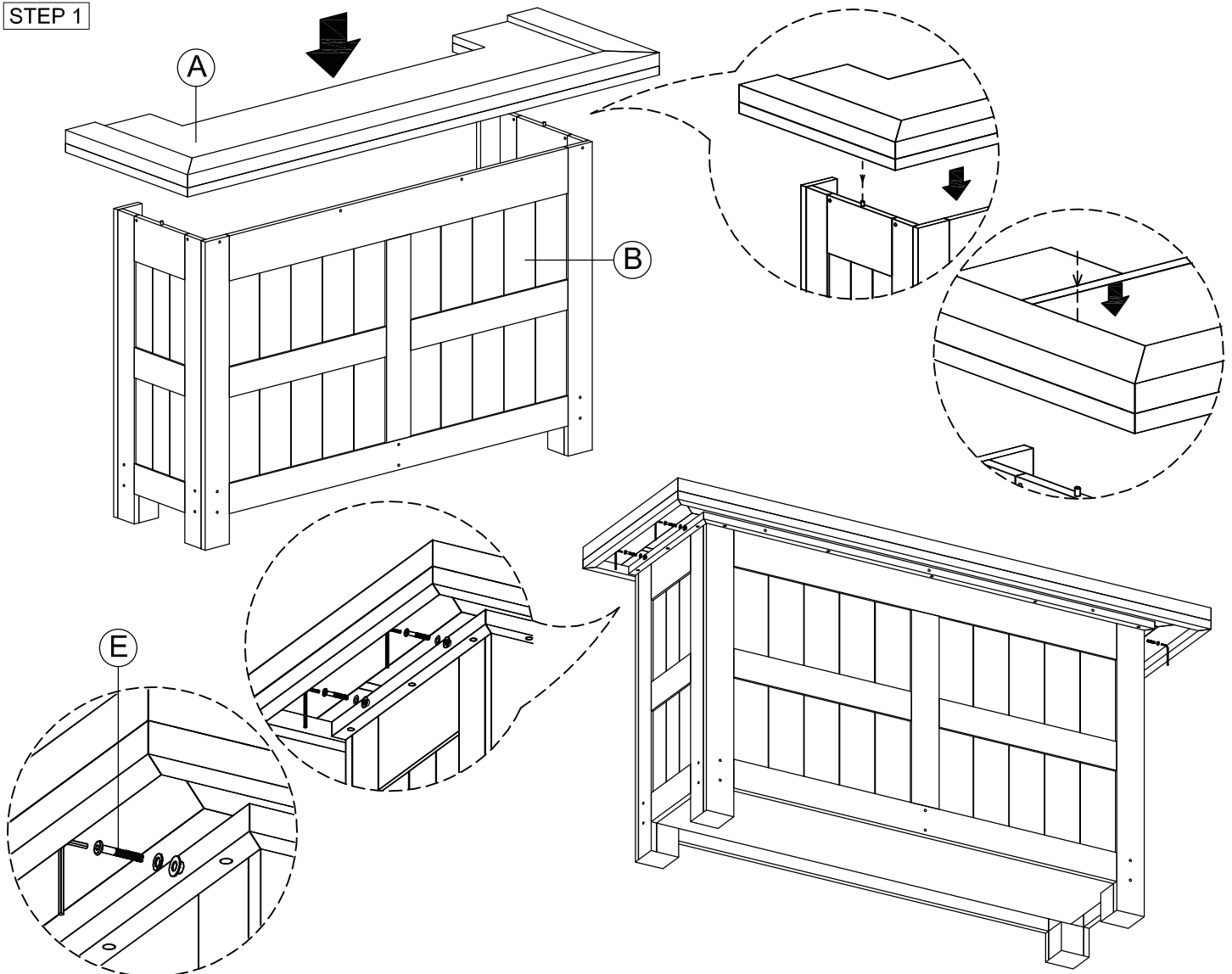
J. Allen Key (1pc)



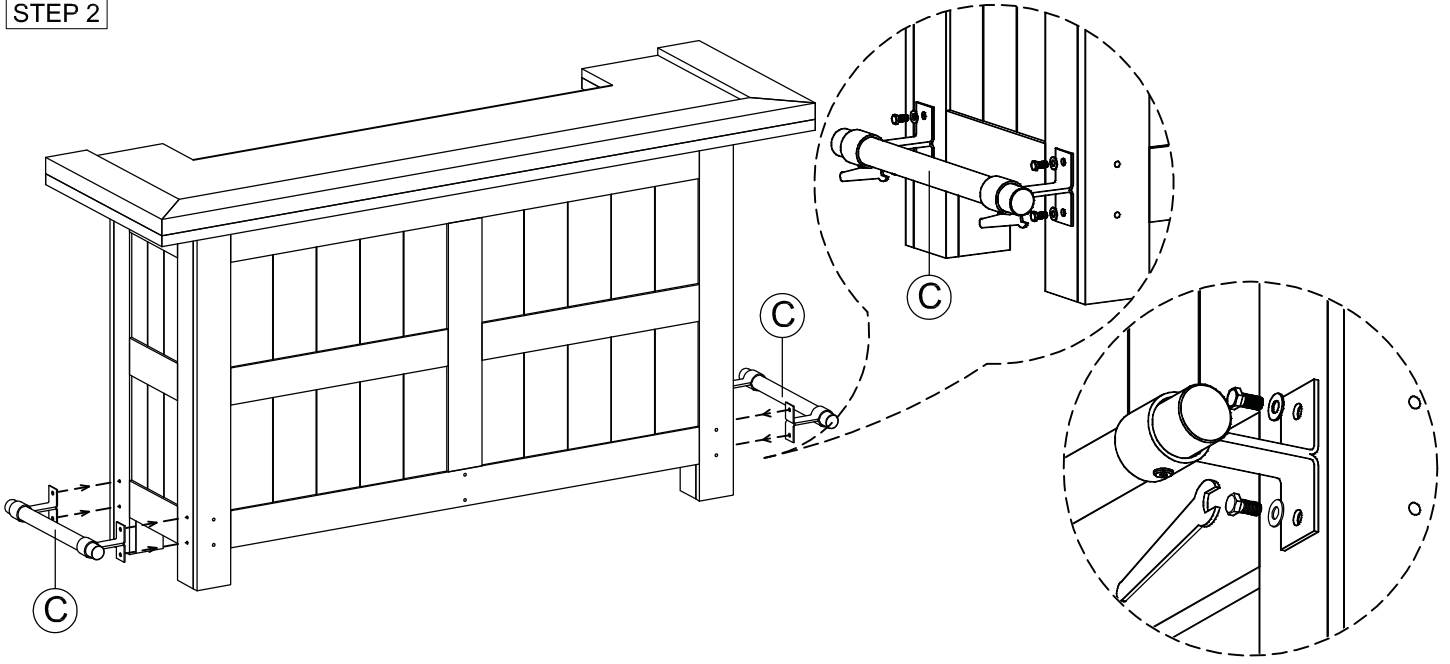
K. Wrench (1pc)



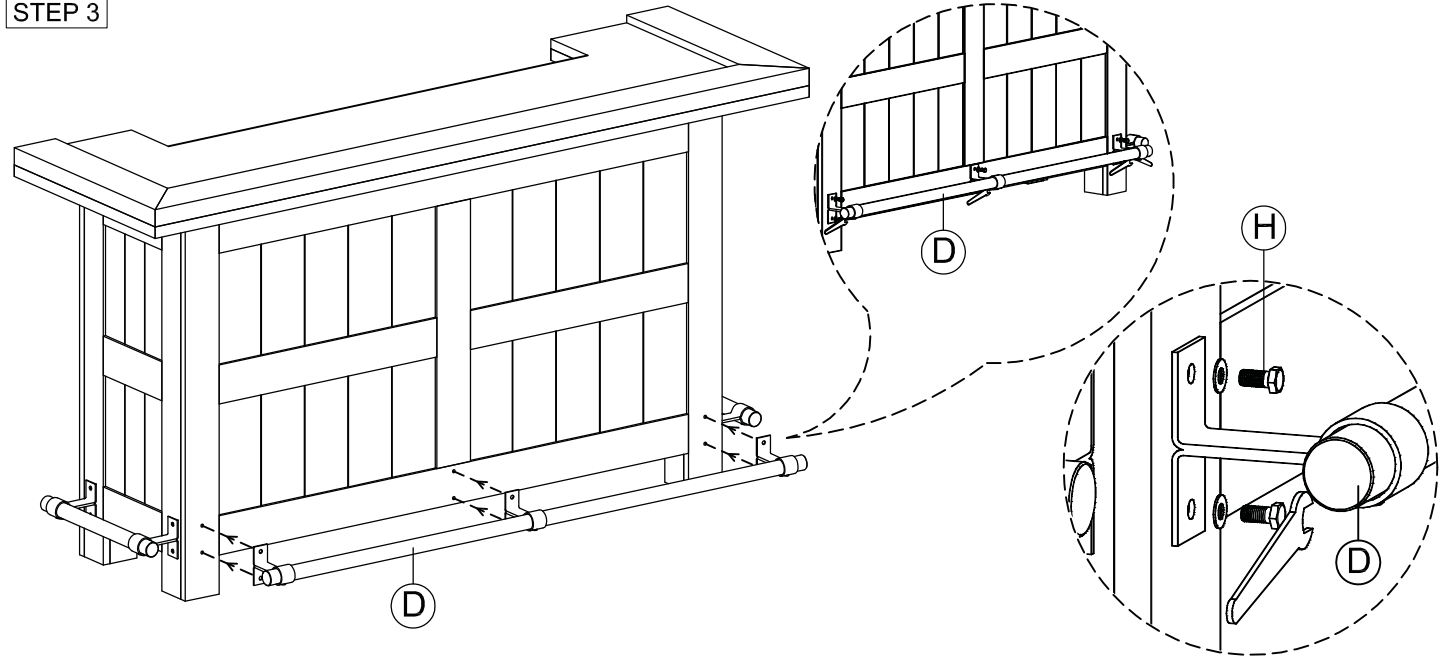
STEP 1



STEP 2



STEP 3



FINISH

