

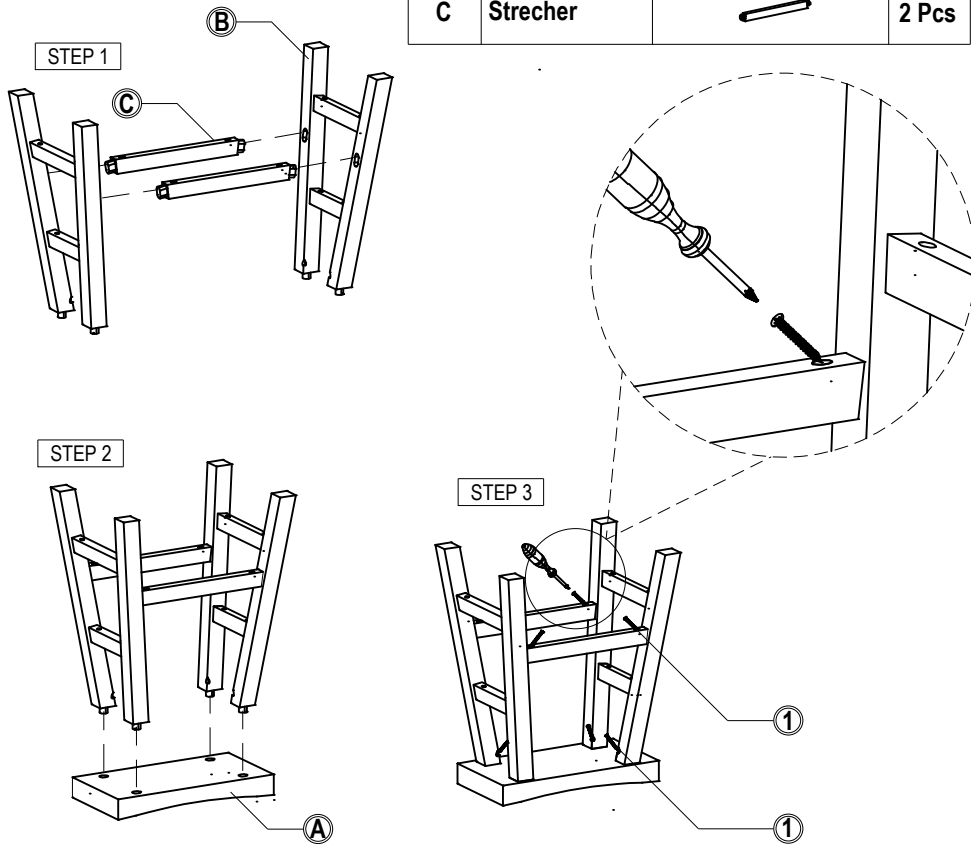


# ASSEMBLY INSTRUCTION #1768-24/30

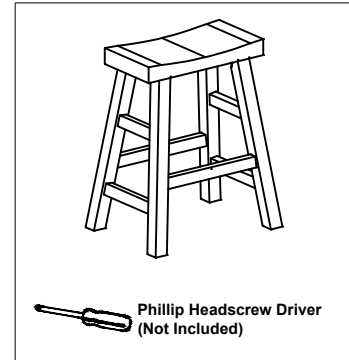


| NO | SKETCH | HARDWARE | QTY   |
|----|--------|----------|-------|
| 1  |        | Screw    | 8 Pcs |
|    |        |          |       |

| NO | DESCRIPTION | SKETCH | QTY   |
|----|-------------|--------|-------|
| A  | Seat        |        | 1 Pc  |
| B  | Leg         |        | 2 Pcs |
| C  | Strecher    |        | 2 Pcs |



# ASSEMBLY INSTRUCTION #1768-24/30



| NO | SKETCH | HARDWARE | QTY   |
|----|--------|----------|-------|
| 1  |        | Screw    | 8 Pcs |
|    |        |          |       |

| NO | DESCRIPTION | SKETCH | QTY   |
|----|-------------|--------|-------|
| A  | Seat        |        | 1 Pc  |
| B  | Leg         |        | 2 Pcs |
| C  | Strecher    |        | 2 Pcs |

