













# ASSEMBLY INSTRUCTION

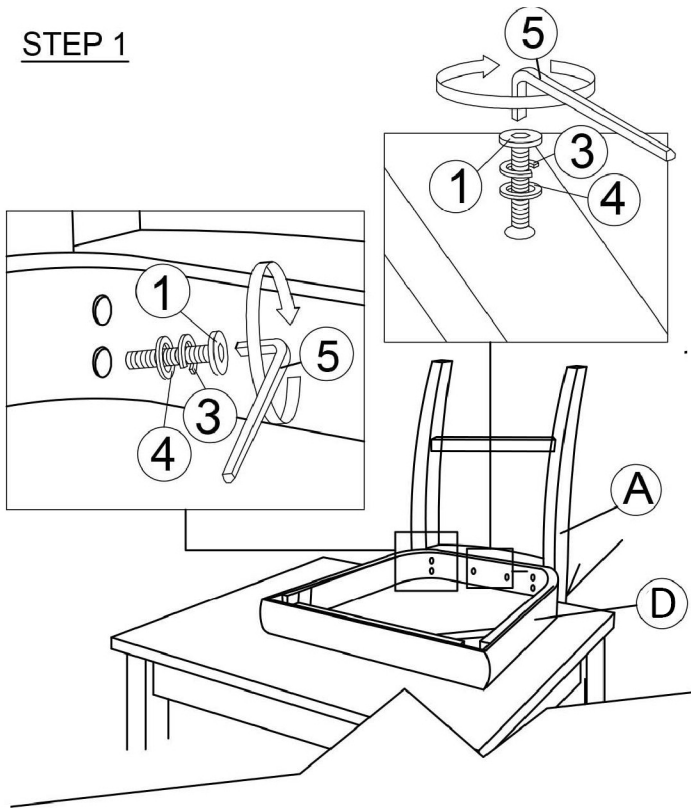
## PARTS LIST

	DESCRIPTION	SKETCH	QTY
A	BACK REST		2PC
B	FRONT LEG (LEFT)		2PC
C	FRONT LEG (RIGHT)		2PC
D	UPHOLSTERY SEAT		2PC
E	U STRETCHER		2PC
F	FRONT STRETCHER		2PC

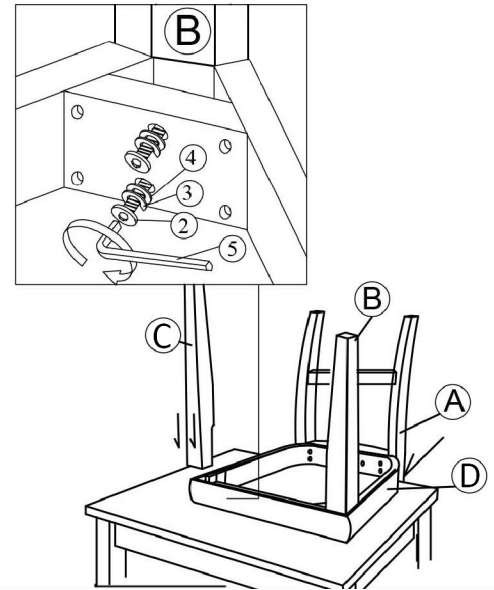
## HARDWARE LIST

ITEM	DESCRIPTION	SKETCH	QTY
1	BOLT Ø5/16"X1-1/2"		12PCS
2	BOLT Ø5/16"X2"		8PCS
3	SPRING WASHER 5/16"		20PCS
4	FLAT WASHER 5/16"		20PCS
5	Allen wrench 5mm		2PCS
6	SCREW Ø8*1-5/8"		12PCS

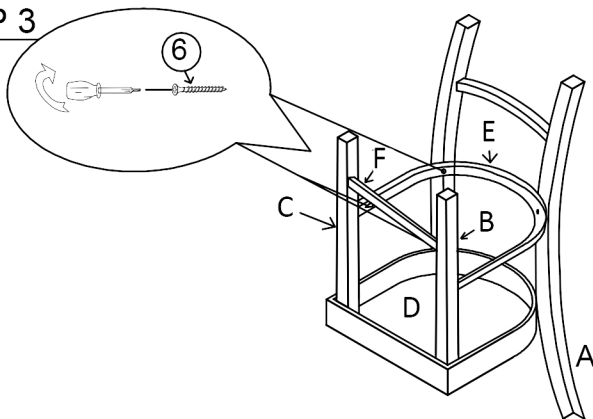
### STEP 1



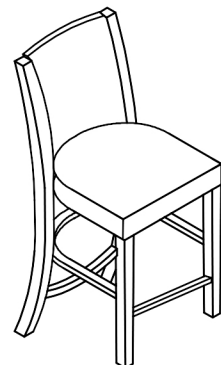
### STEP 2



### STEP 3



### FULLY SET-UP



Do not fully tighten any bolts until last step