
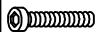

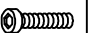

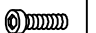










ASSEMBLY INSTRUCTION

LENNON COUNTER SIDE CHAIR

1715S-24-BK/RB

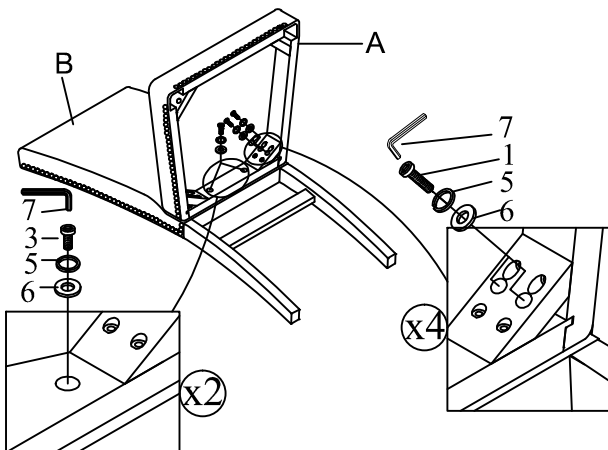
PART LIST				HARDWARE LIST			
NO.	PART DESC		Q'TY	NO.	PART	HARDWARE DESC	Q'TY
A	SEAT FRAME WITH CUSHION		2	1		ALLEN BOLT (5/16"x83mm)	8
B	BACK FRAME WITH CUSHION		2	2		ALLEN BOLT (5/16"x57mm)	8
C	FRONT LEFT LEG		2	3		ALLEN BOLT (5/16"x45mm)	4
D	FRONT RIGHT LEG		2	4		SCREW 35mm	12
E	FRONT STRETCHER		2	5		SPRING WASHER (5/16"x11mm)	20
F	LEFT STRETCHER		2	6		FLAT WASHER (5/16"x19mm)	20
G	RIGHT STRETCHER		2	7		ALLEN KEY (M5)	2

NOTES : Do not fully tighten any bolts until last step

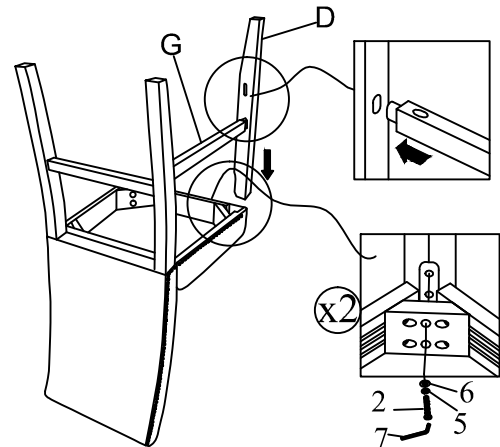
TOOLS REQUIRED (NOT PROVIDED)

 Phillips Screw Driver

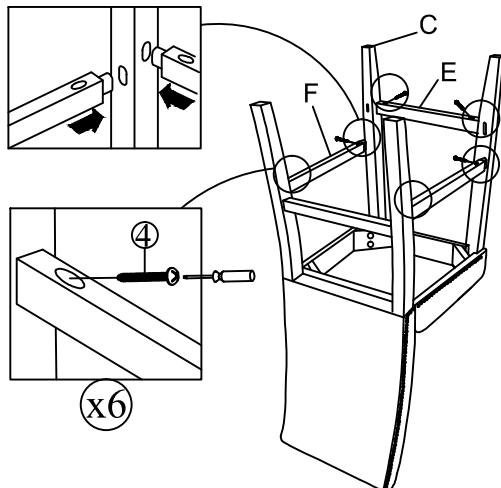
STEP 1: Attach Seat Cushion to back Frame



STEP 2 :Insert Front Legs into Seat Frame One Side At a Time



STEP 3:



STEP 4:

