



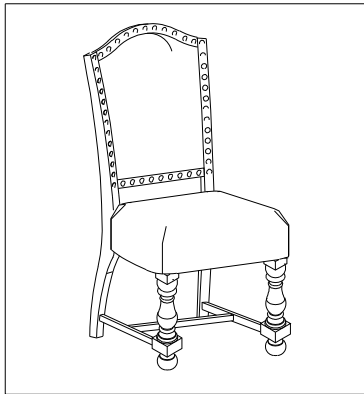
ASSEMBLY INSTRUCTION #1673

HARDWARE LIST

NO	SKETCH	HARDWARE	QTY
1		JCBC M8x40	6 Pcs
2		JCBC M8x80	4 Pcs
3		Spring Washer	10 Pcs
4		Plat Washer	10 Pcs
5		Screw Ø8 x 50	6 Pcs
6		Allen Key	1 Pc

PART LIST

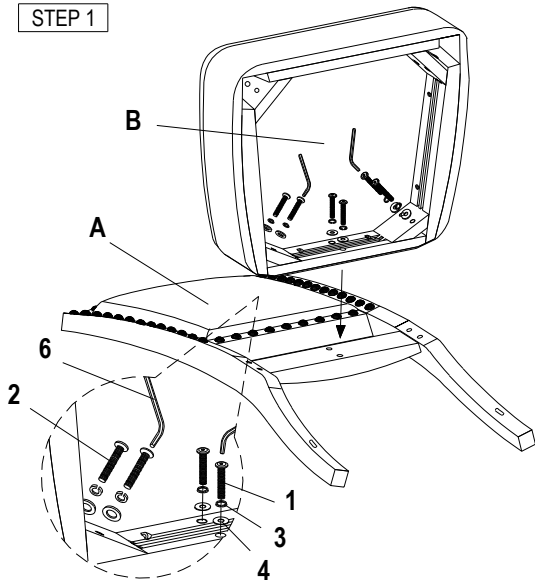
NO	DESCRIPTION	SKETCH	QTY
A	Backrest		1 Pc
B	Seat		1 Pc
C	Left support		1 Pc
D	Right support		1 Pc
E	Strecher		1 Pc
F	Left leg		1 Pc
G	Right leg		1 Pc



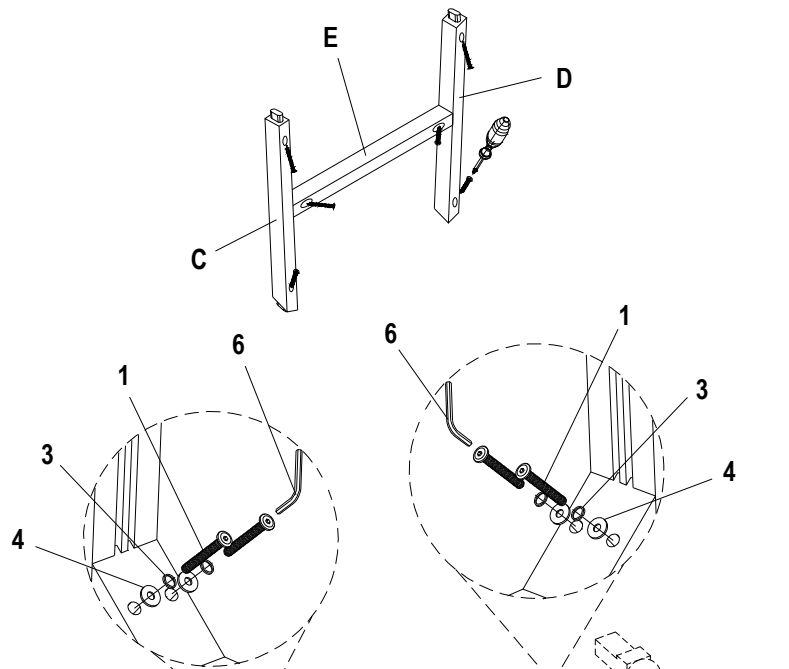
Phillip Headscrew Driver
(Not Included)

ASSEMBLY STEP

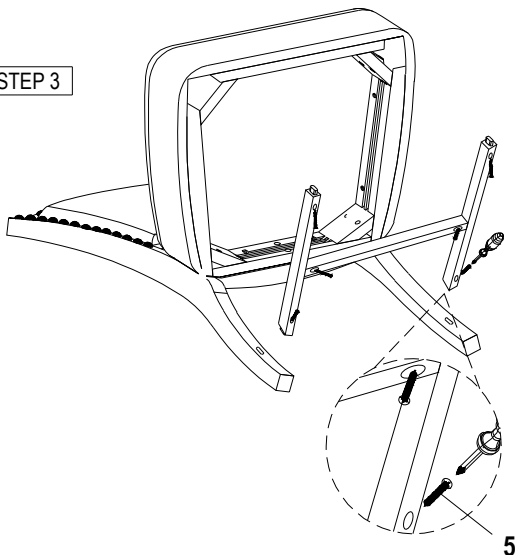
STEP 1



STEP 2



STEP 3



STEP 4

