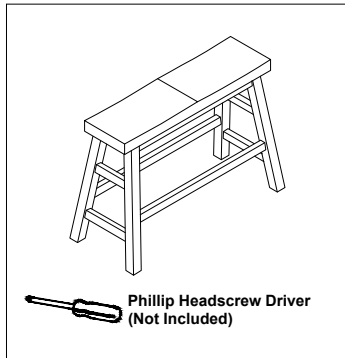




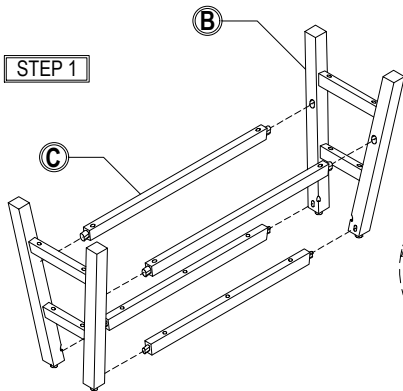
ASSEMBLY INSTRUCTION #1671-24/30



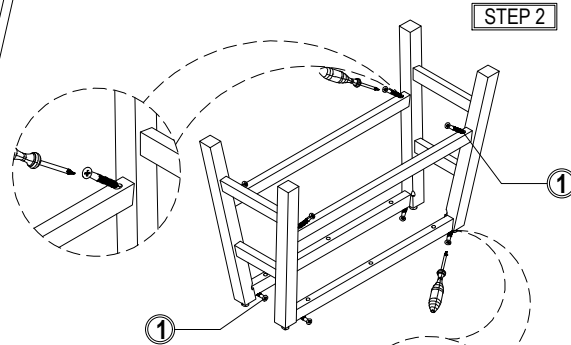
NO	SKETCH	HARDWARE	QTY
1		Screw (50mm)	12 Pcs
2		Screw (38mm)	6 Pcs

NO	DESCRIPTION	SKETCH	QTY
A	Seat		1 Pc
B	Leg		2 Pcs
C	Strecher		2 Pcs
D	Strecher		2 Pcs

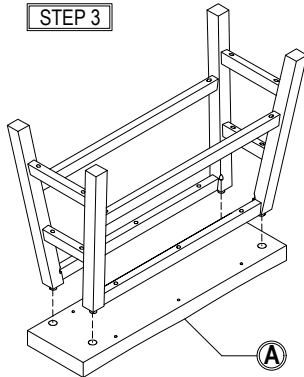
STEP 1



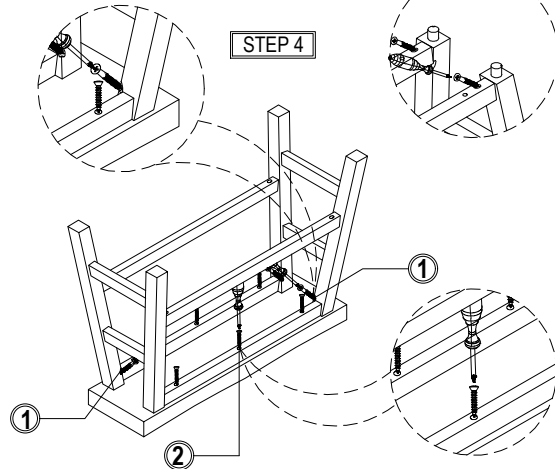
STEP 2



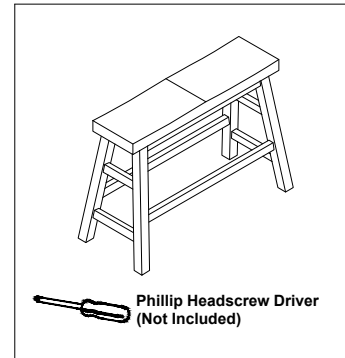
STEP 3



STEP 4



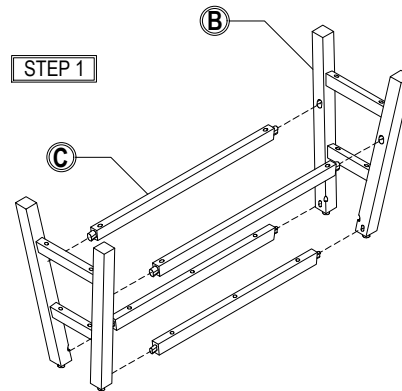
ASSEMBLY INSTRUCTION #1671-24/30



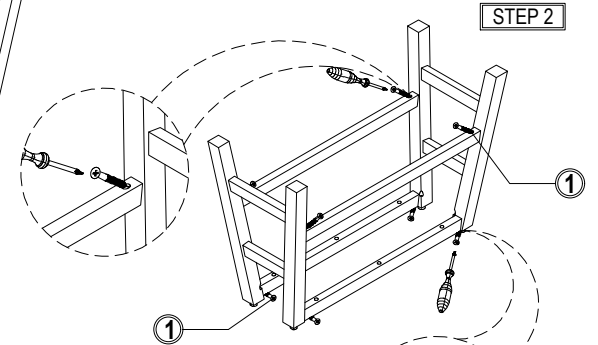
NO	SKETCH	HARDWARE	QTY
1		Screw (50mm)	12 Pcs
2		Screw (38mm)	6 Pcs

NO	DESCRIPTION	SKETCH	QTY
A	Seat		1 Pc
B	Leg		2 Pcs
C	Strecher		2 Pcs
D	Strecher		2 Pcs

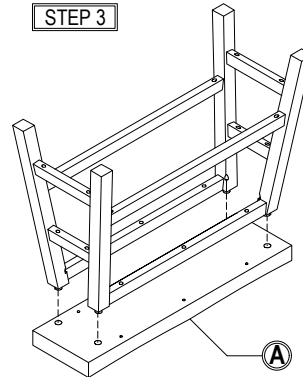
STEP 1



STEP 2



STEP 3



STEP 4

