



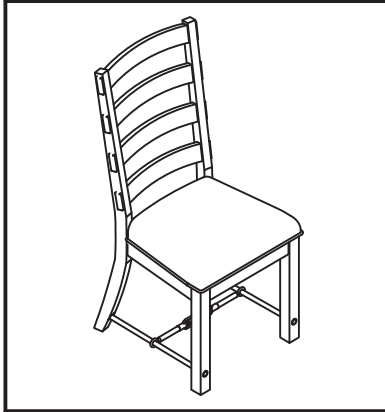
ASSEMBLY INSTRUCTIONS #1667

HARDWARE LIST

NO	SKETCH	HARDWARE	QTY
1		JCBC M8 x 40mm	2 Pcs
2		Spring Washer M8	10 Pcs
3		Flat Washer M8	10 Pcs
4		Hexagonal Nut M8	4 Pcs
5		JCBC M8 x 80mm	4 Pcs
6		Wrench Key	1 Pc
7		Allen Key	1 Pc
8		Hexagonal Bolt M8 x 50mm	2 Pcs
9		Spring Washer M8 K 22	2 Pcs

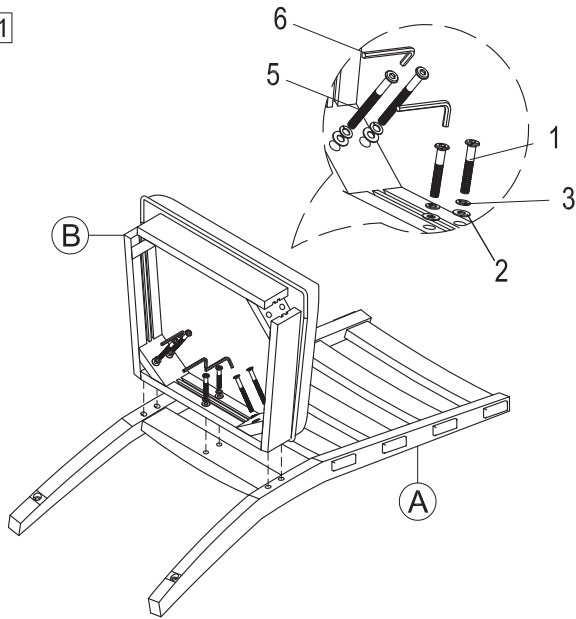
PART LIST

NO	DESCRIPTION	SKETCH	QTY
A	Backrest		1 Pc
B	Chusion Seat		1 Pc
C	Stretcher		1 Pc
D	Left Leg		1 Pc
E	Right Leg		1 Pc

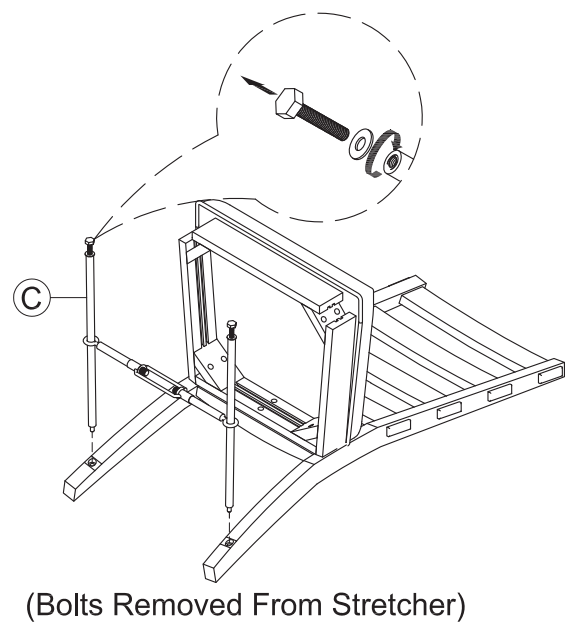


ASSEMBLY STEP

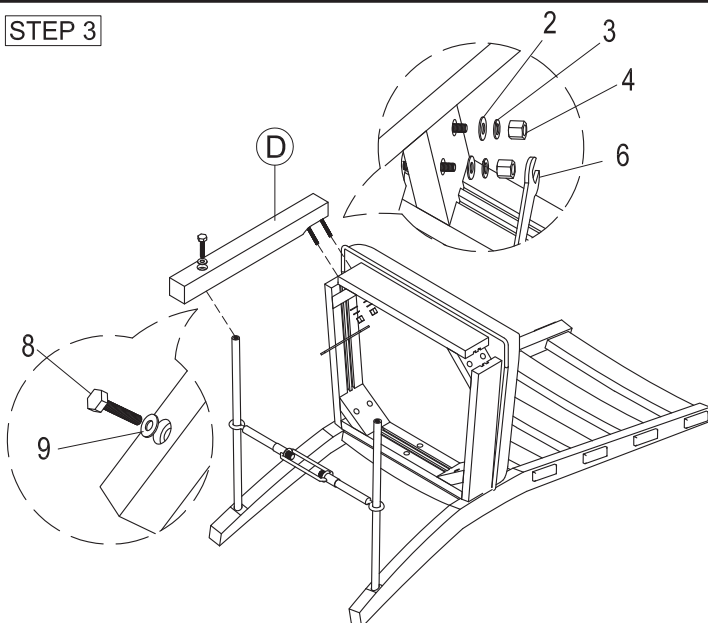
STEP 1



STEP 2



STEP 3



STEP 4

