



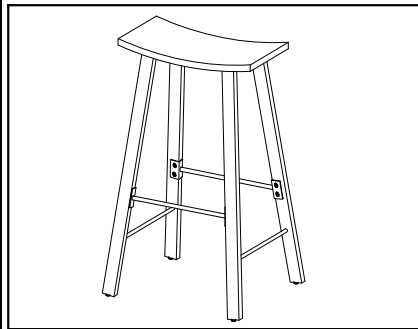
# ASSEMBLY INSTRUCTION #1659 - 30

## HARDWARE LIST

NO	SKETCH	HARDWARE	QTY
1		JCBC M6 x 15 MM	16 pcs
2		Flat Washer M6	16 pcs
3		Allen Key	1 pc

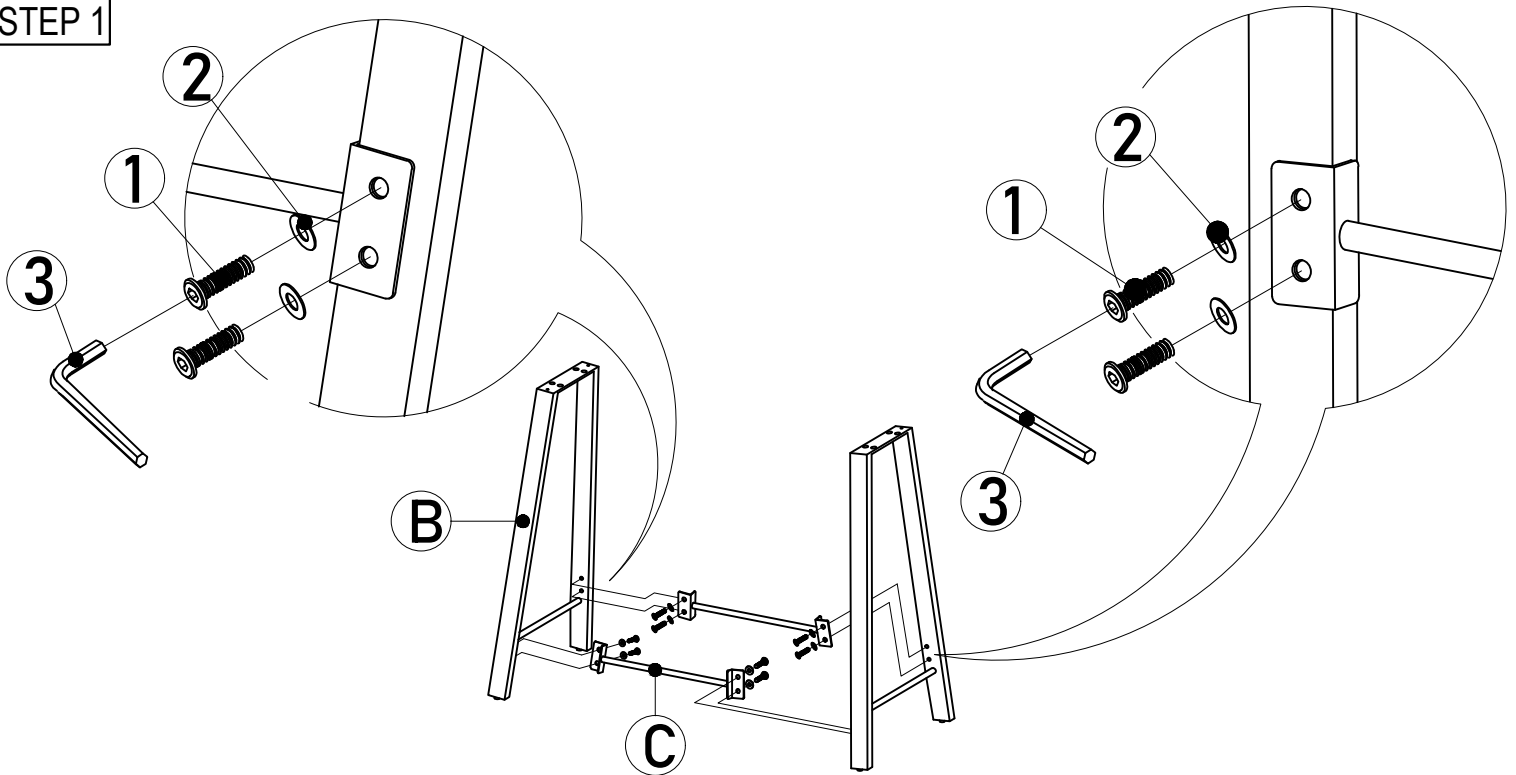
## PART LIST

NO	DESCRIPTION	SKETCH	QTY
A	Seat		1 pc
B	Leg		2 pcs
C	Stretcher		2 pcs



## ASSEMBLY STEP

### STEP 1



### STEP 2

