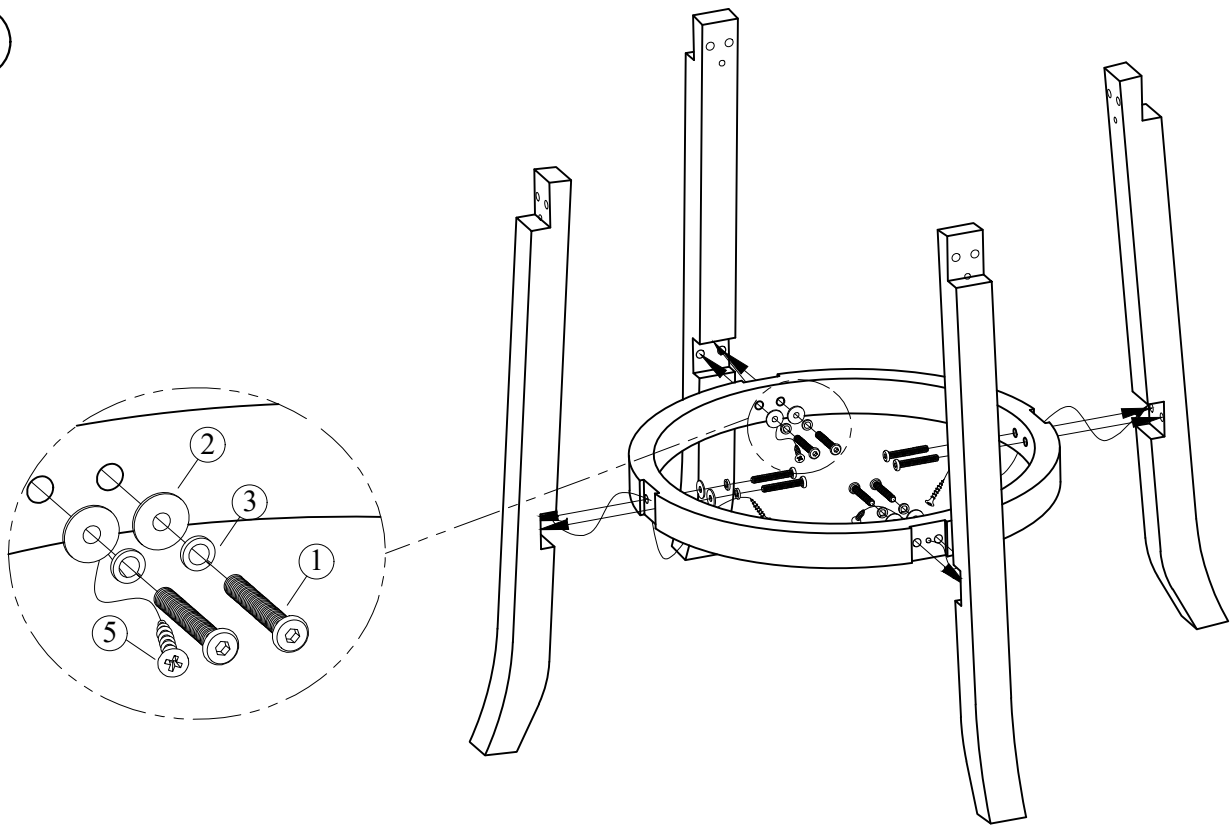


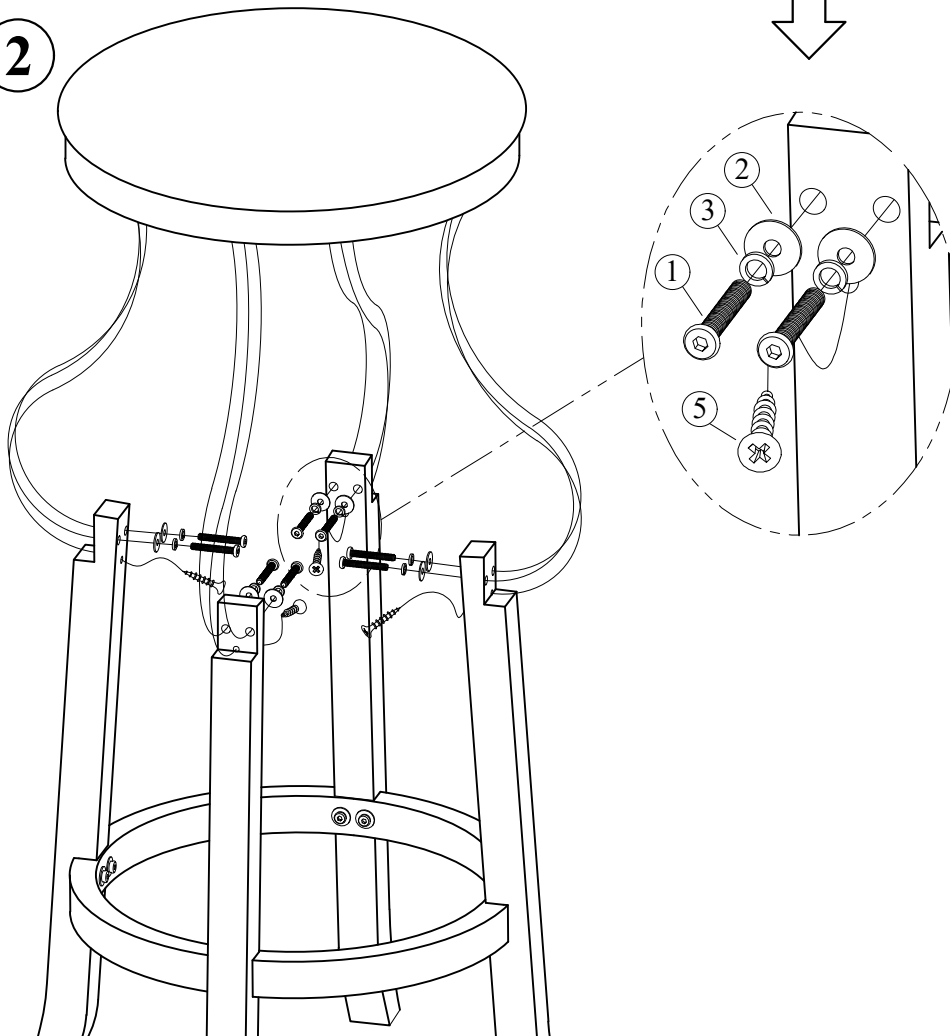


#1646-24/30 Assembly Instruction




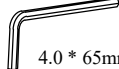

1



2



Hardware List

	Description	QTY
①	 M6 * 40mm	16 Pcs
②	 M6	16 Pcs
③	 M6	16 Pcs
④	 4.0 * 65mm	1 Pc
⑤	 Screw 30mm	8 Pcs
	Total	57 Pcs