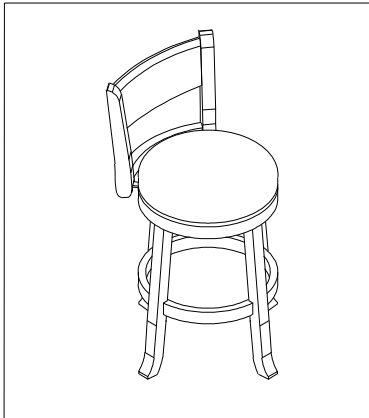




ASSEMBLY INSTRUCTION #1646-B24/B30



HARDWARE LIST

NO	SKETCH	HARDWARE	QTY
1		JCBC M6 x 40	16 Pcs
2		JCBC M6 x 25	7 Pcs
3		Spring Washer	23 Pcs
4		Flat Washer	23 Pcs
5		Allen Key	1 Pcs
6		Screw 8 x 30	8 Pcs

Philip Headscrew Driver
(Not Included)

PART LIST

NO	DESCRIPTION	QTY
A	Backrest	1 Pcs
B	Seat cushion	1 Pcs

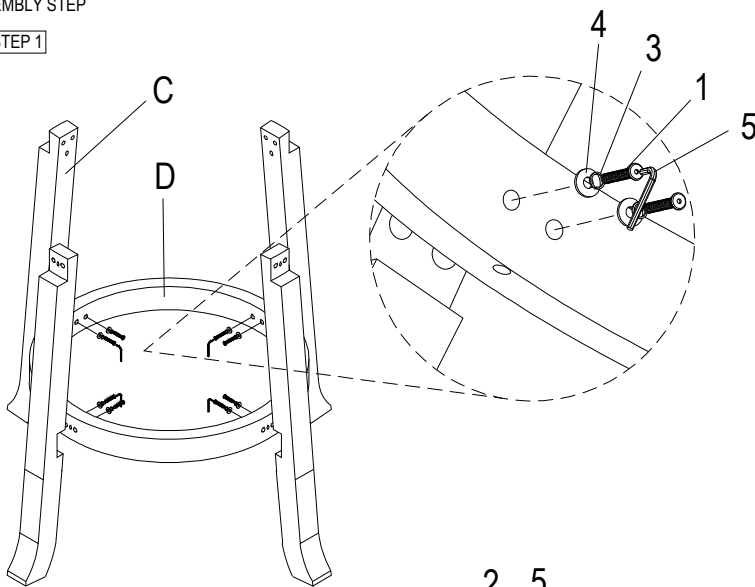
PART LIST

NO	DESCRIPTION	QTY
C	Leg	4 Pcs
D	Stretcher	1 Pcs

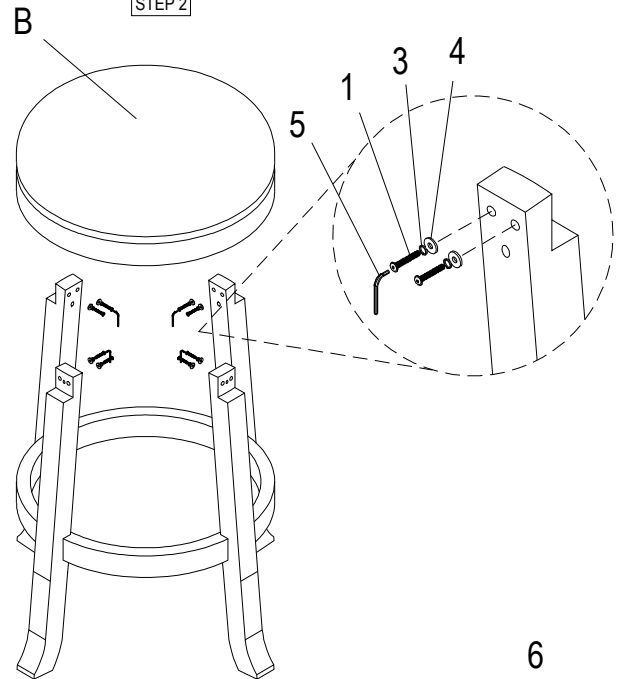
NOTE: Do not tighten bolts until all the part has been attached

ASSEMBLY STEP

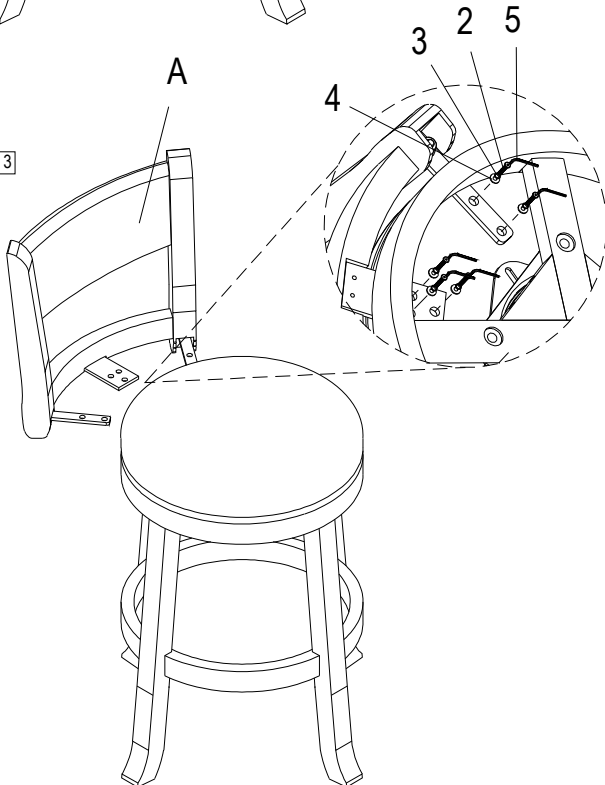
STEP 1



STEP 2



STEP 3



STEP 4

