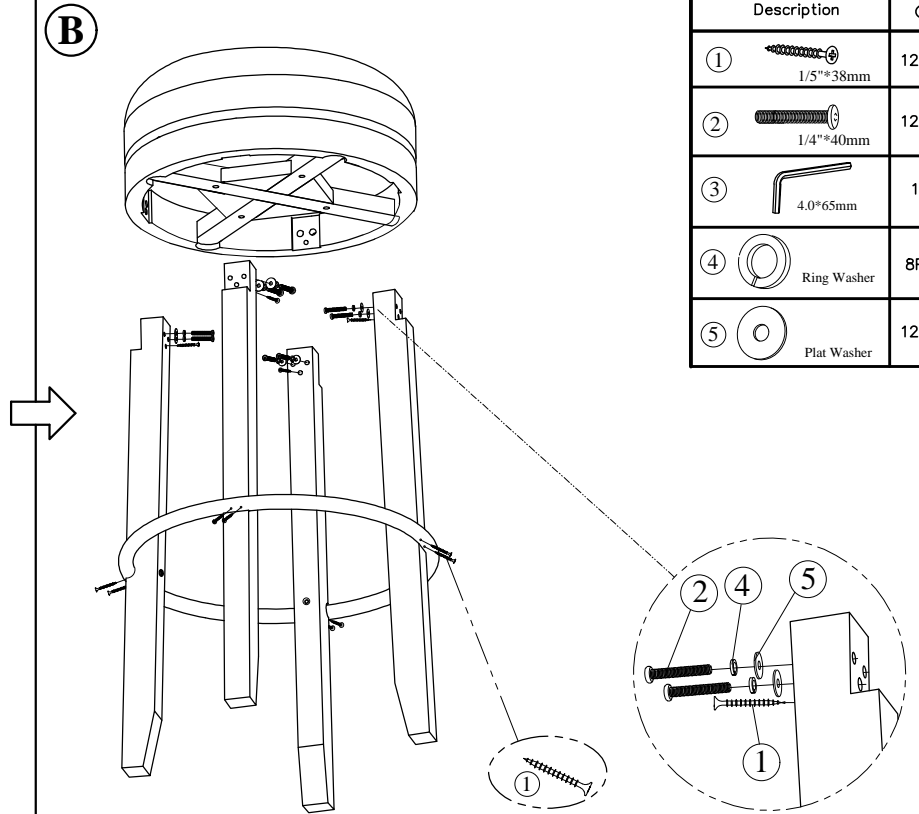
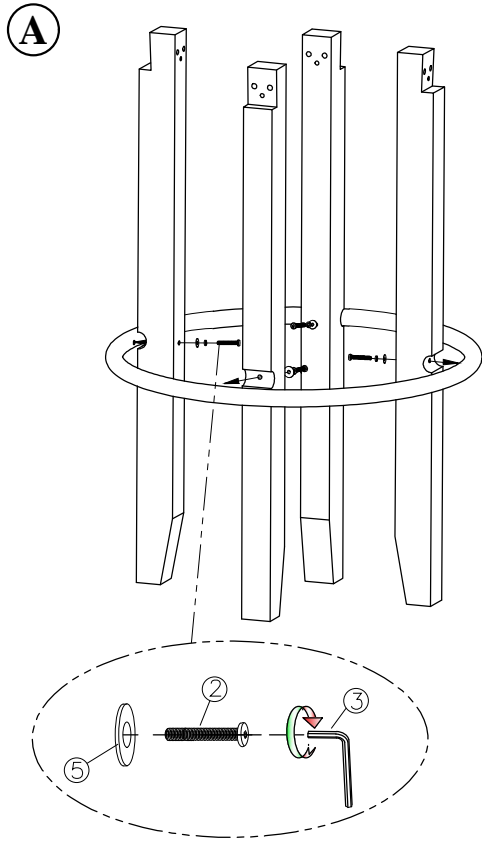


# #1624-24\30 Assembly Instruction



SUNNY DESIGNS

NOTE: Do not tighten bolts until all the part has been attached



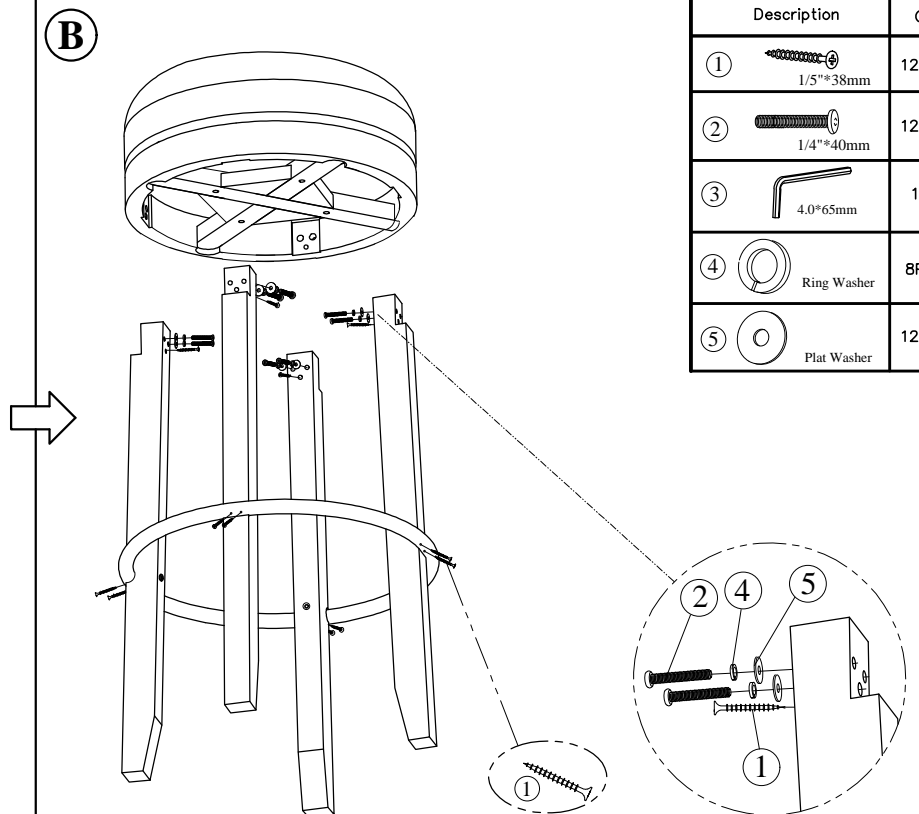
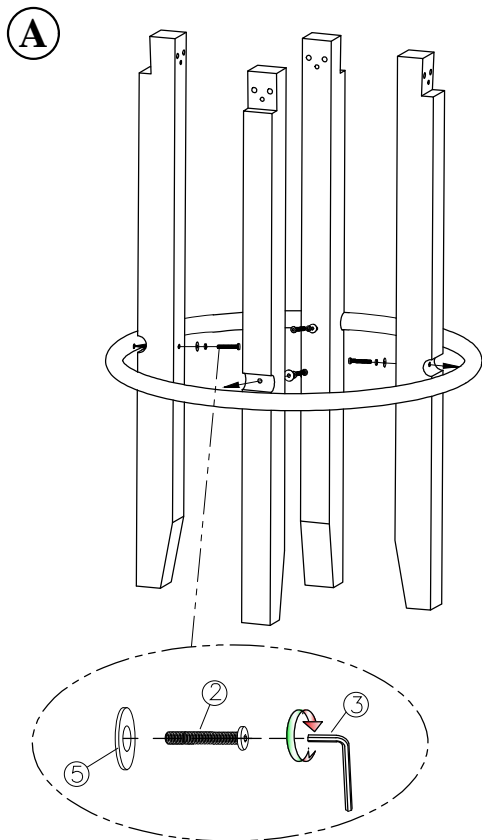
Hardware List		
Description		QTY
①	1/5*38mm	12PCS
②	1/4*40mm	12PCS
③	4.0*65mm	1PC
④	Ring Washer	8PCS
⑤	Flat Washer	12PCS

# #1624-24\30 Assembly Instruction



SUNNY DESIGNS

NOTE: Do not tighten bolts until all the part has been attached



Hardware List		
Description		QTY
①	1/5*38mm	12PCS
②	1/4*40mm	12PCS
③	4.0*65mm	1PC
④	Ring Washer	8PCS
⑤	Flat Washer	12PCS