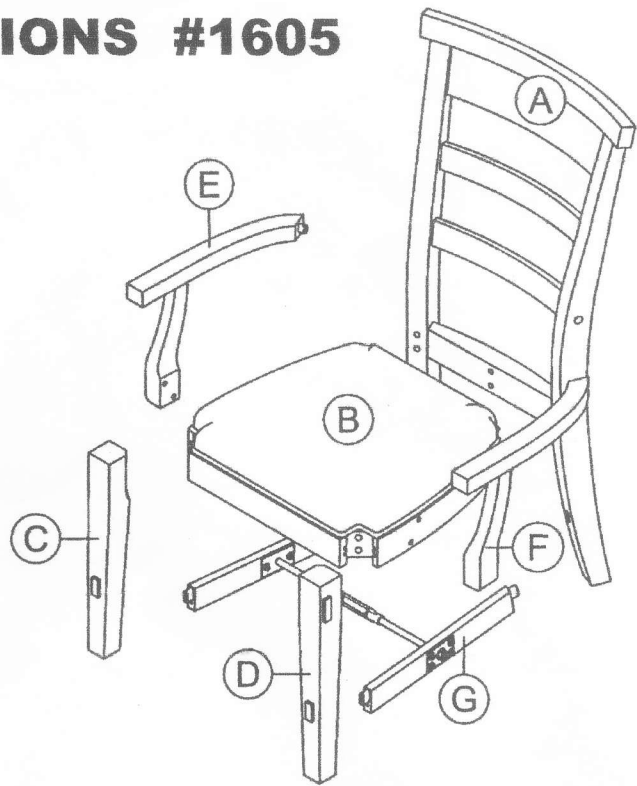



ASSEMBLY INSTRUCTIONS #1605

ARM CHAIR

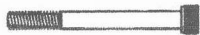
- A 1X
- B 1X
- C 1X
- D 1X
- E 1X
- F 1X
- G 1X




ii = 4x Medium Bolt




aa = 4x Long Bolt




bb = 2x Short Bolt




cc = 4x




dd = 6x




ee = 14x




ff = 14x



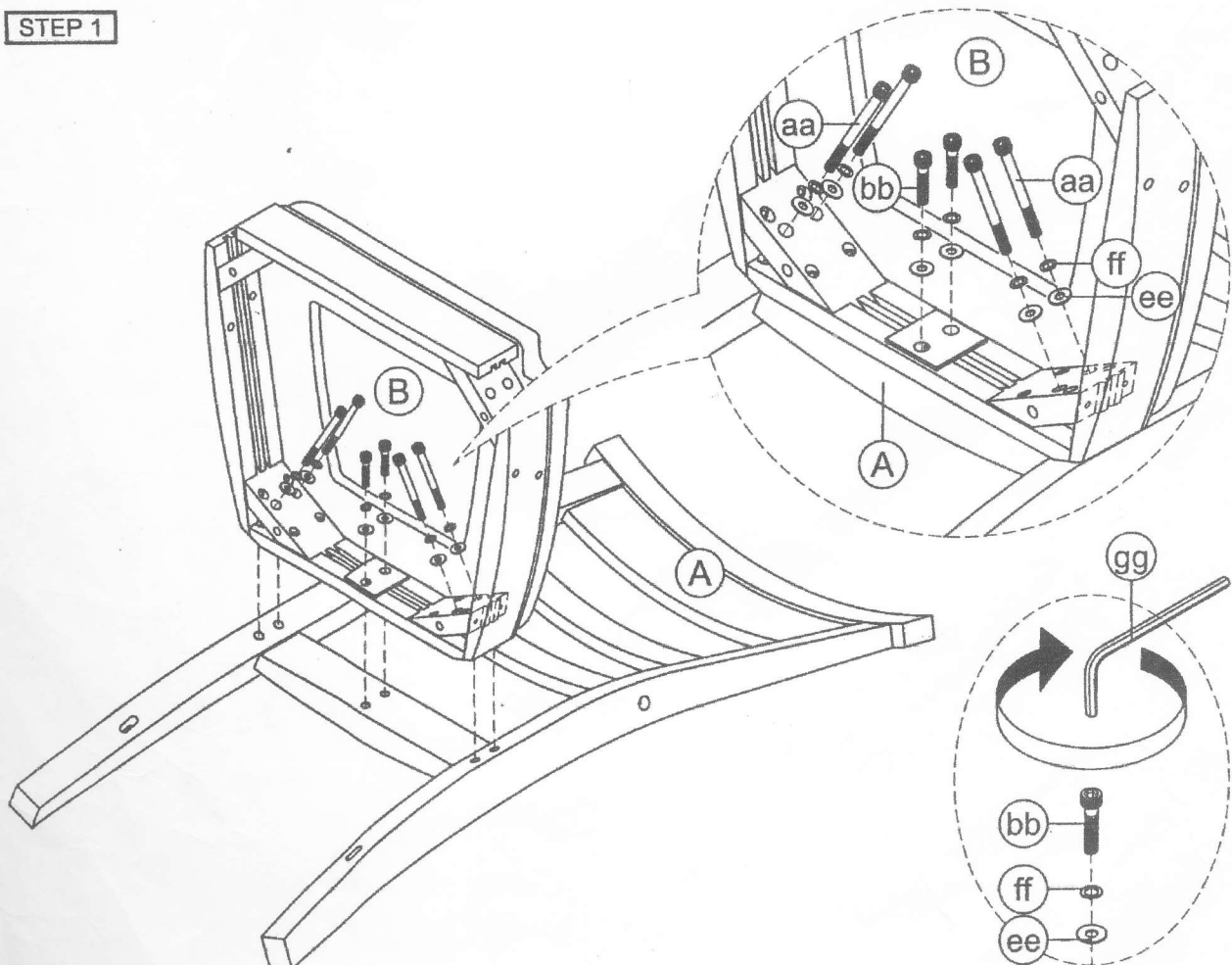
gg = 1x



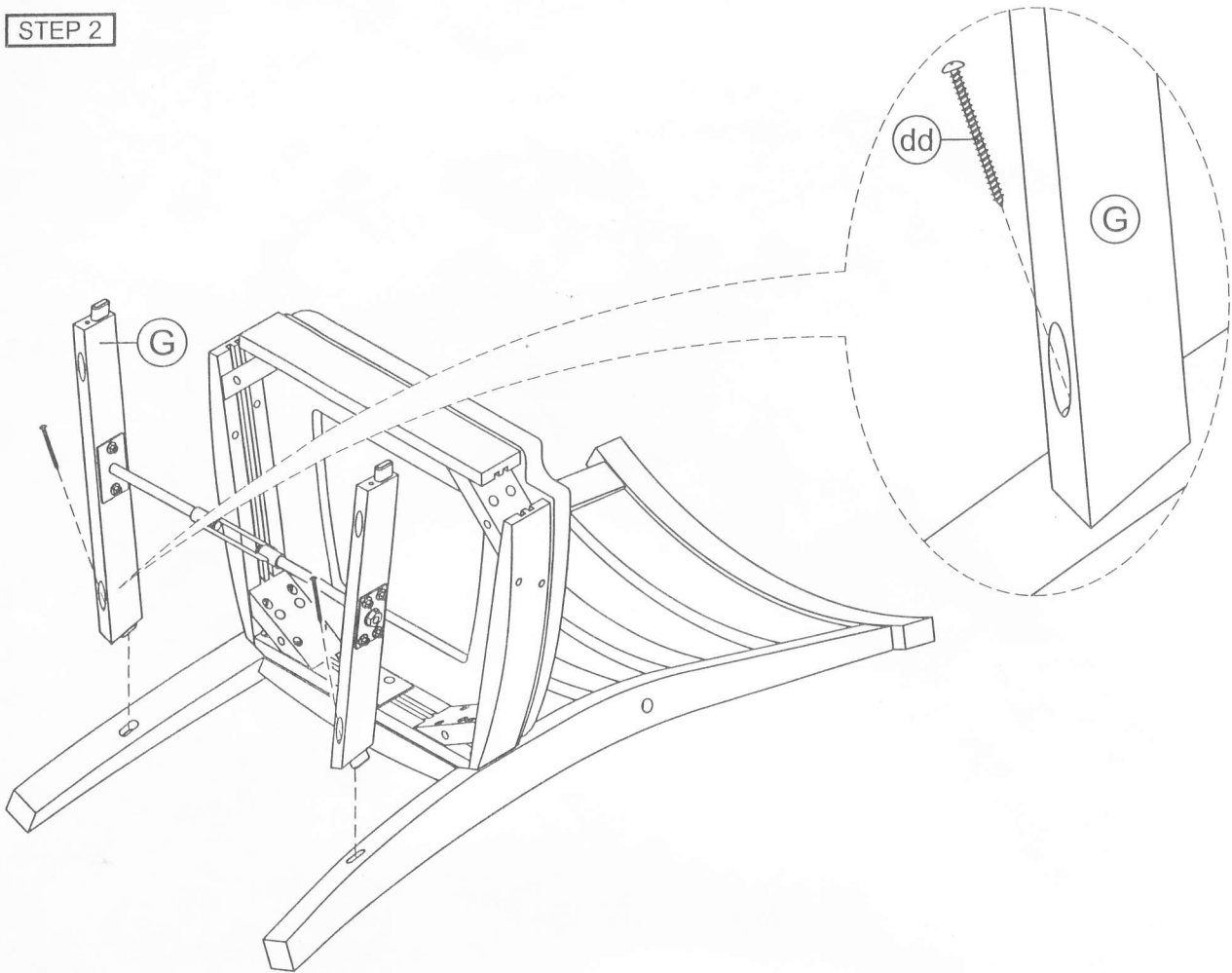
hh = 1x



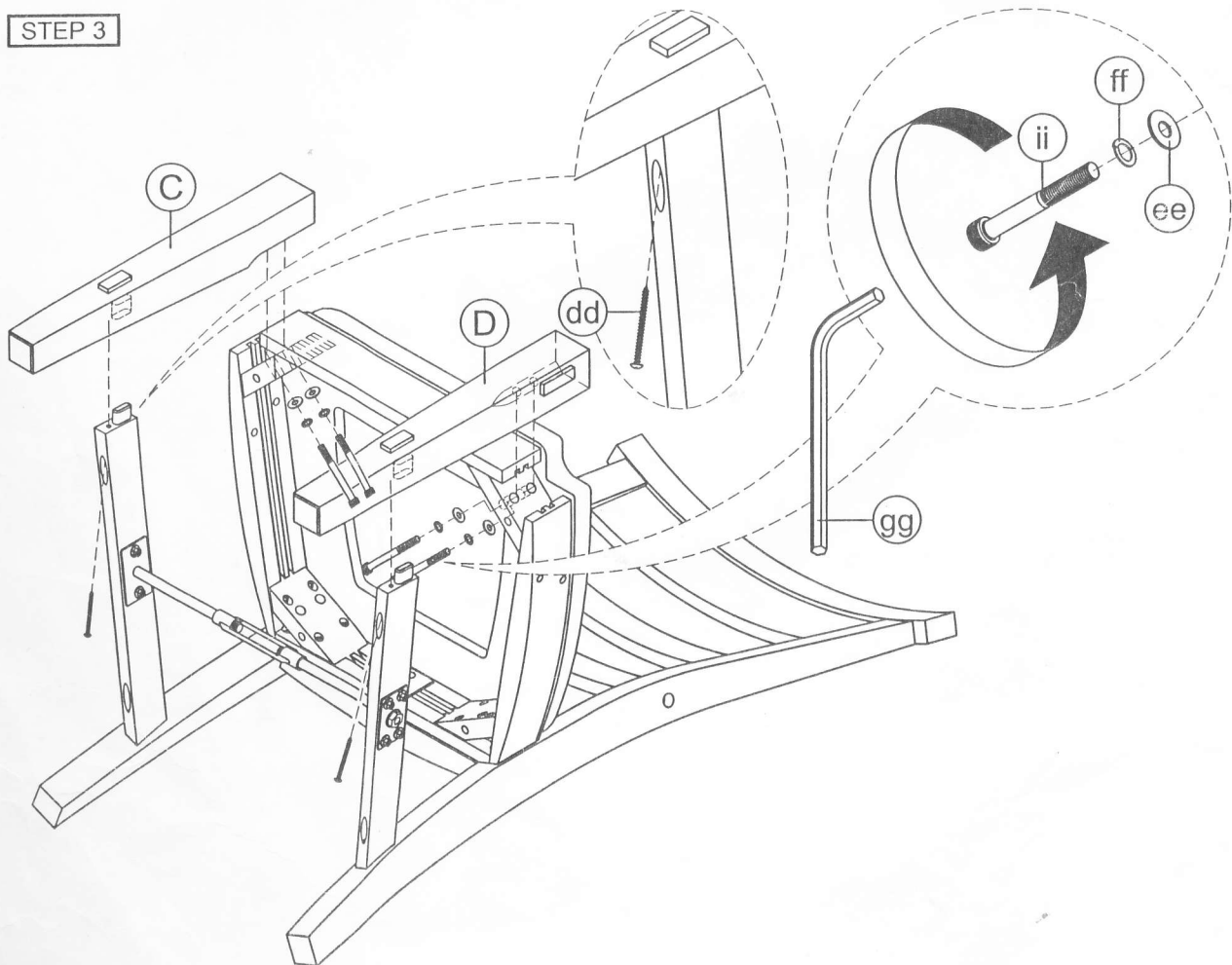
STEP 1



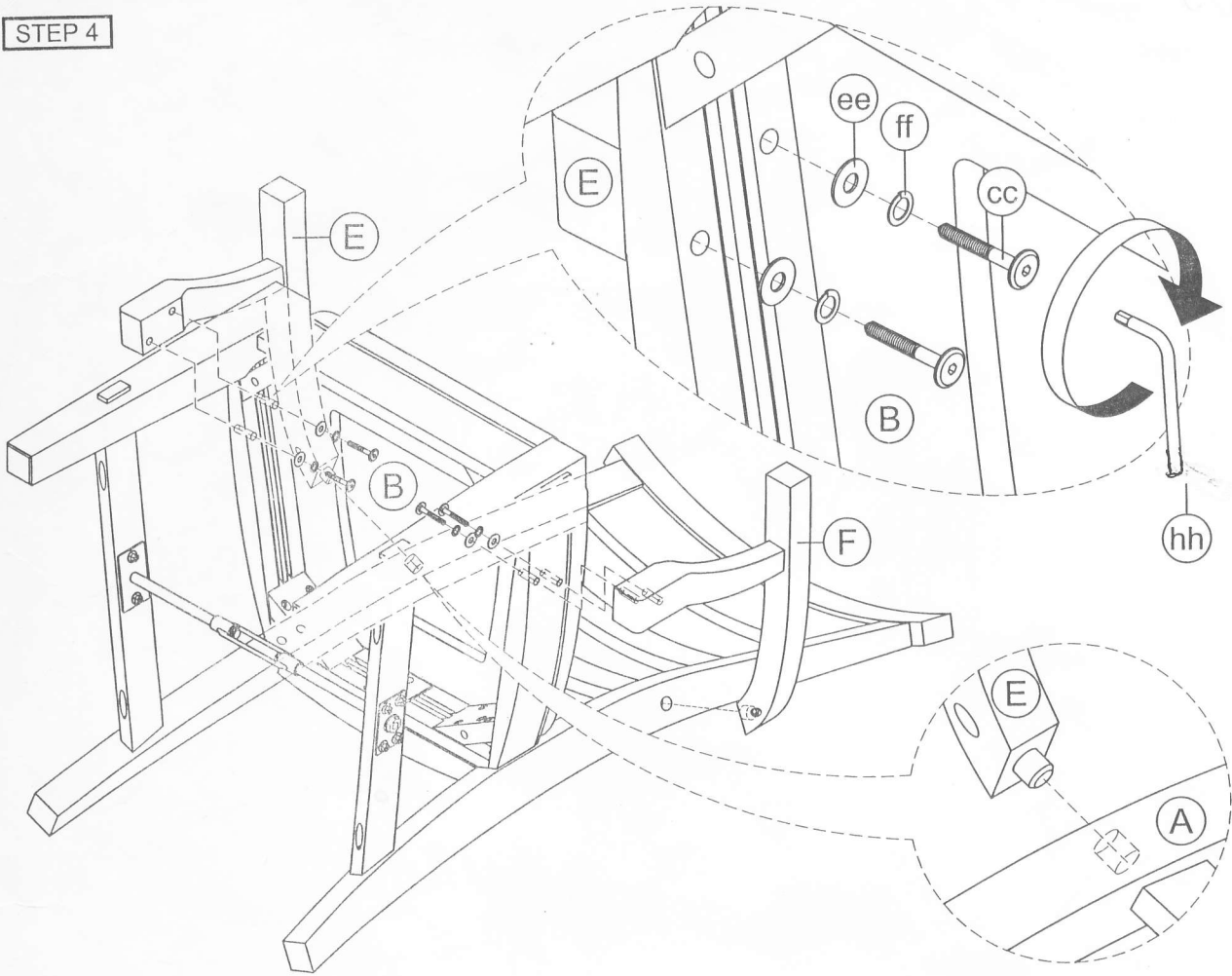
STEP 2



STEP 3



STEP 4



STEP 5

