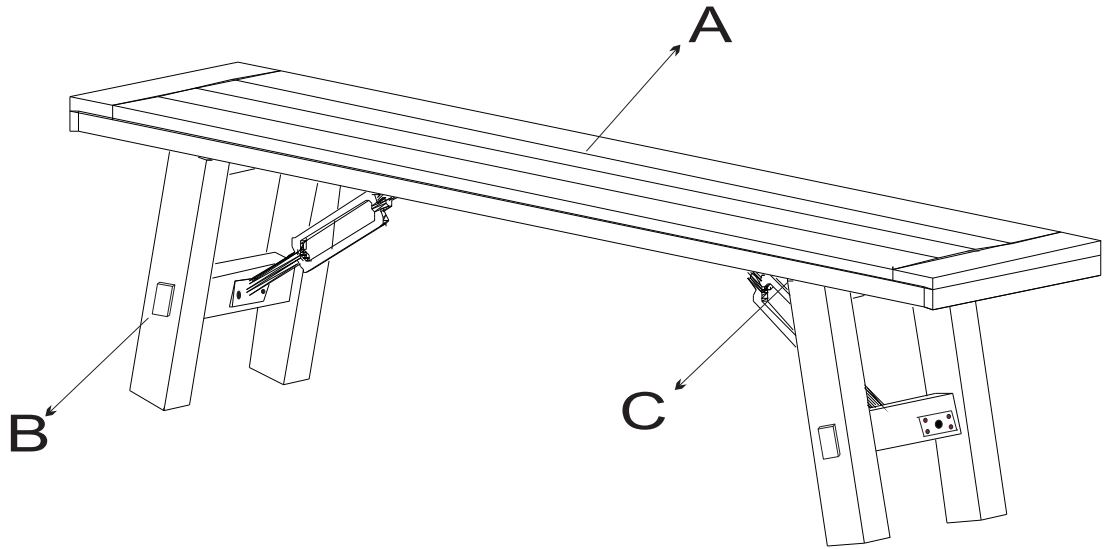


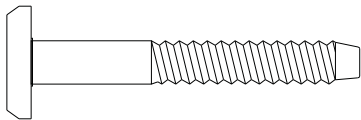


# ASSEMBLY INSTRUCTIONS #1522

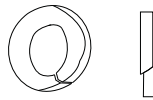


- A . 1pc
- B . 2pcs
- C . 2pcs

**E. JCBC M6 x 1 1/2" ( 8 Pcs )**



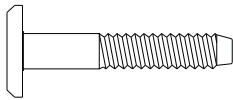
**G. Spring Washer plat M6 ( 12 Pcs )**



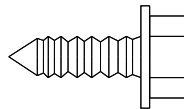
**L. Washer plat M6x18 ( 12 Pcs )**



**F. JCBC M6 x 1" ( 4 Pcs )**



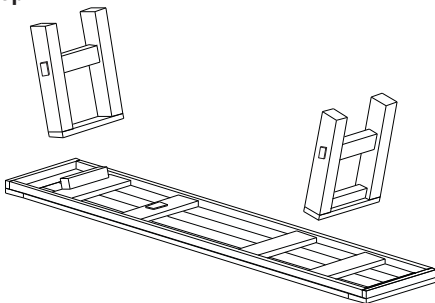
**J. Screw M10 x 5/8" (YP) ( 4 Pcs )**



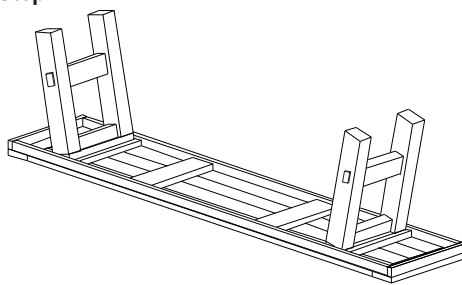
**K. Allen Key ( 1 Pcs )**



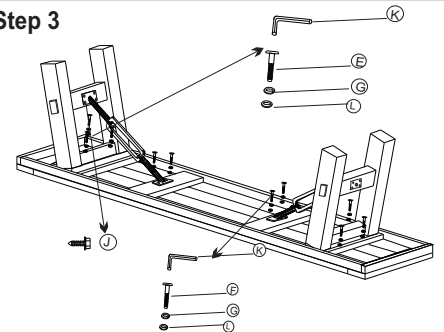
**Step 1**



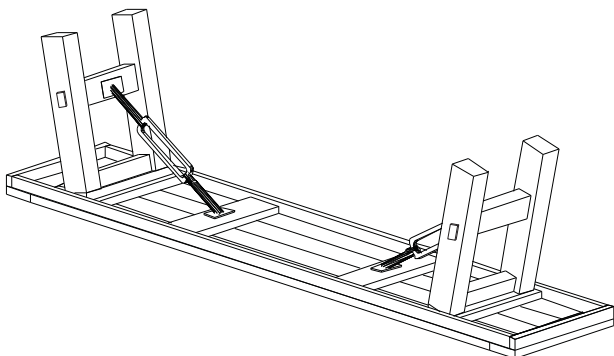
**Step 2**



**Step 3**



**Step 4**



**Step 5**

