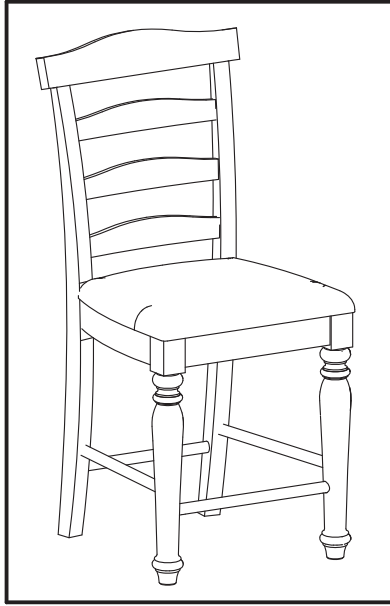




ASSEMBLY INSTRUCTIONS #1432-24C

HARDWARE LIST

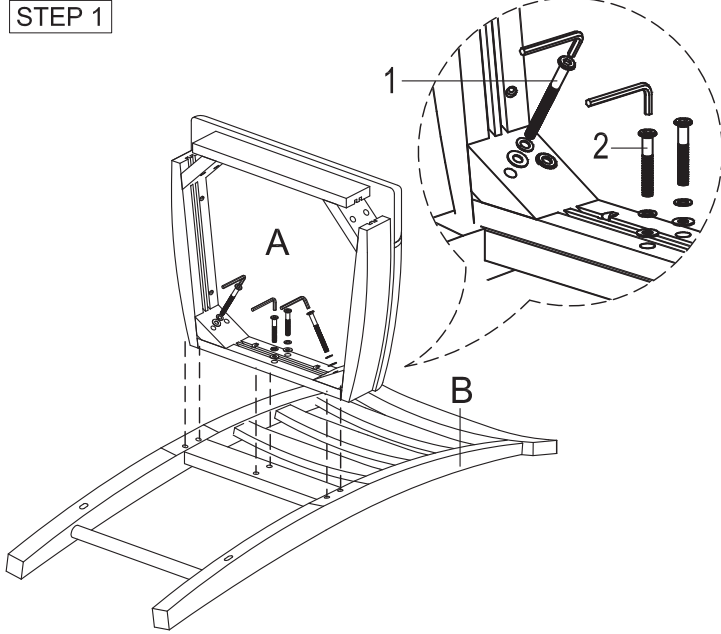
PART LIST



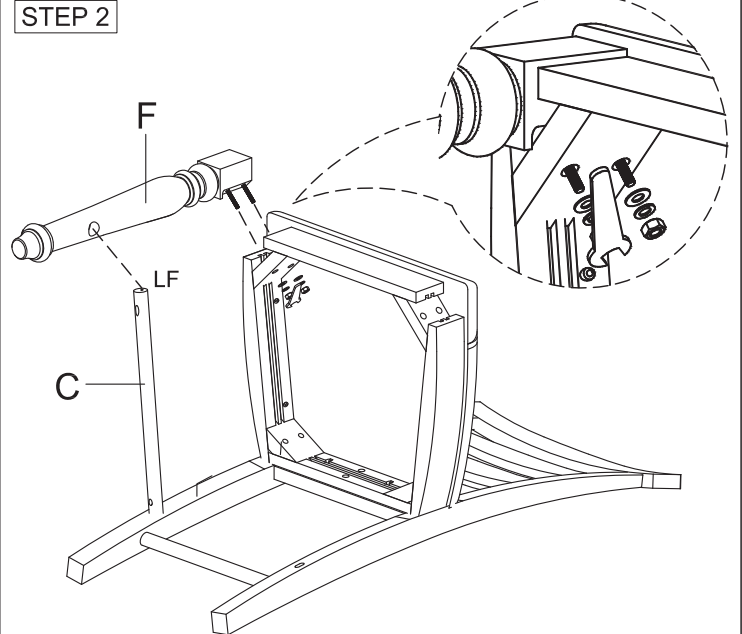
NO	SKETCH	HARDWARE	QTY	NO	DESCRIPTION	SKETCH	QTY
1		JCBC M8 x 80mm	4 pcs	A	Backrest		1 pc
2		JCBC M8 x 40mm	2 pcs	B	Side Panel		1 pc
3		Spring Washer M8	10 pcs	C	Left Support		1 pc
4		Plat Washer M8	10 pcs	D	Right Support		1 pc
5		Hexagonal Nut M8	4 pcs	E	Strecher		1 pc
6		Screw Ø8 x 2"	6 pcs	F	Left Leg		1 pc
7		Allen Key	1 pc	G	Right Leg		1 pc
8		Wrench Key	1 pc				
							Phillip Headscrew driver (not included)

ASSEMBLY STEP

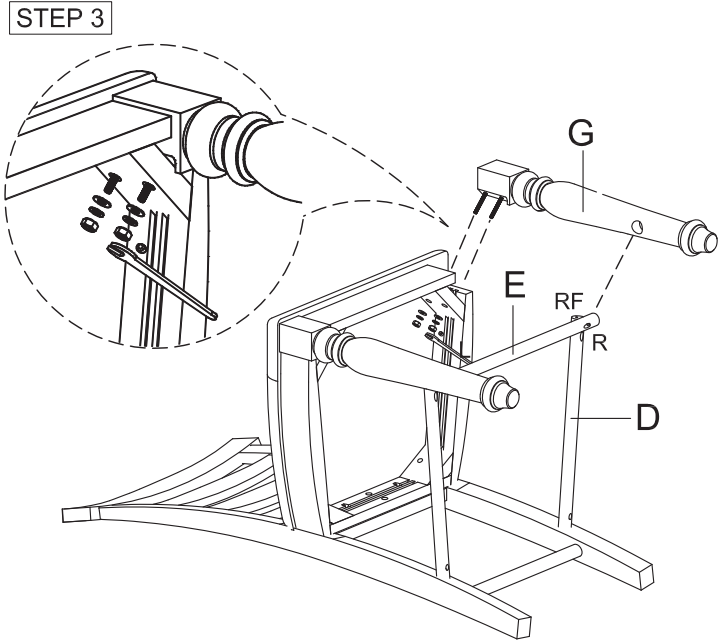
STEP 1



STEP 2



STEP 3



STEP 4

