



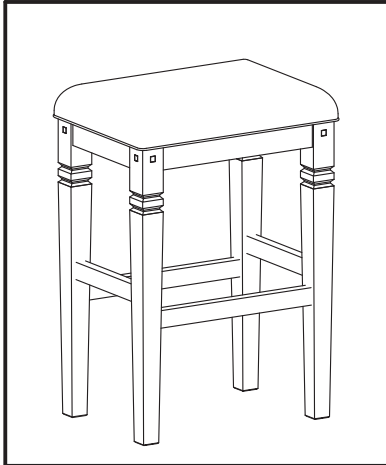
ASSEMBLY INSTRUCTIONS #1430-30

HARDWARE LIST

NO	SKETCH	HARDWARE	QTY
1		JCBC M8 x 50mm	8 pcs
2		Spring Washer M8	8 pcs
3		Flat Washer	8 pcs
4		Screw Ø8 x 2"	8 pcs
5		Allen Key	1 pc
6		Phillip Headscrew driver (not included)	

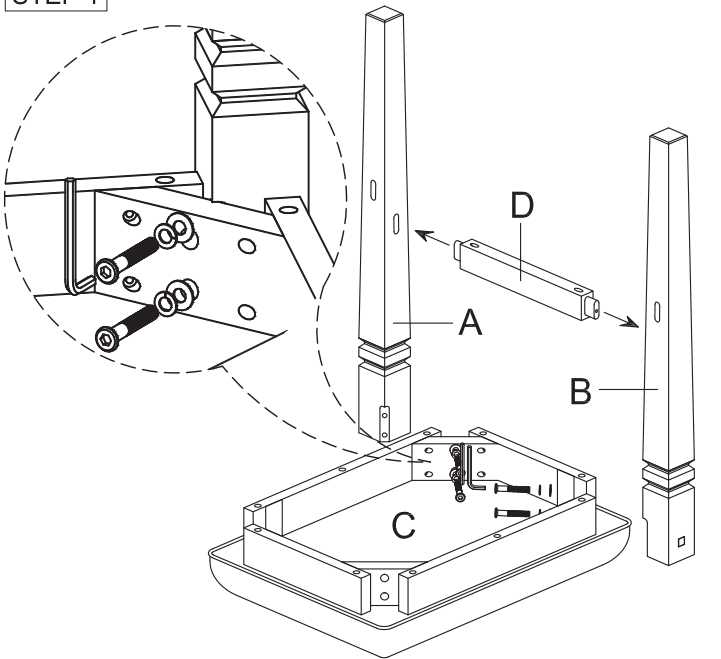
PART LIST

NO	DESCRIPTION	SKETCH	QTY
A	Leg A		2 pcs
B	Leg B		2 pcs
C	Cushion Seat		1 pc
D	Side Support		2 pcs
E	Strecher		2 pcs

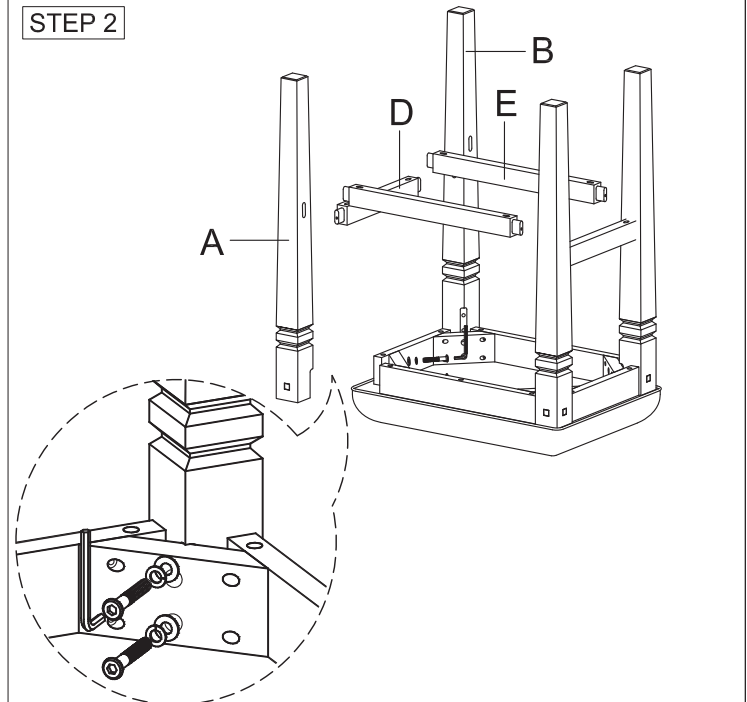


ASSEMBLY STEP

STEP 1



STEP 2



STEP 3

