



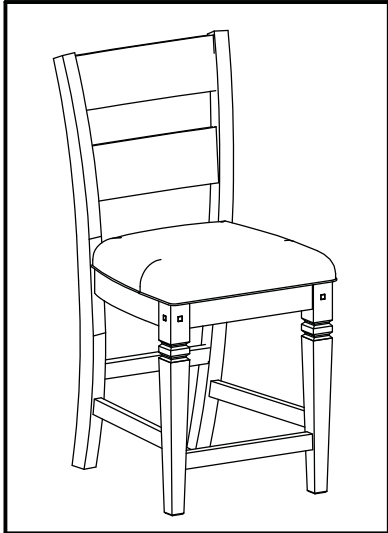
ASSEMBLY INSTRUCTIONS #1429-24

HARDWARE LIST

NO	SKETCH	HARDWARE	QTY
1		JCBC M8 x 80mm	4 pcs
2		JCBC M8 x 50mm	6 pcs
3		Spring Washer M8	10 pcs
4		Plat Washer	10 pcs
5		Screw Ø8 x 2"	6 pcs
6		Allen Key	1 pc
7		Phillip Headscrew driver (not included)	

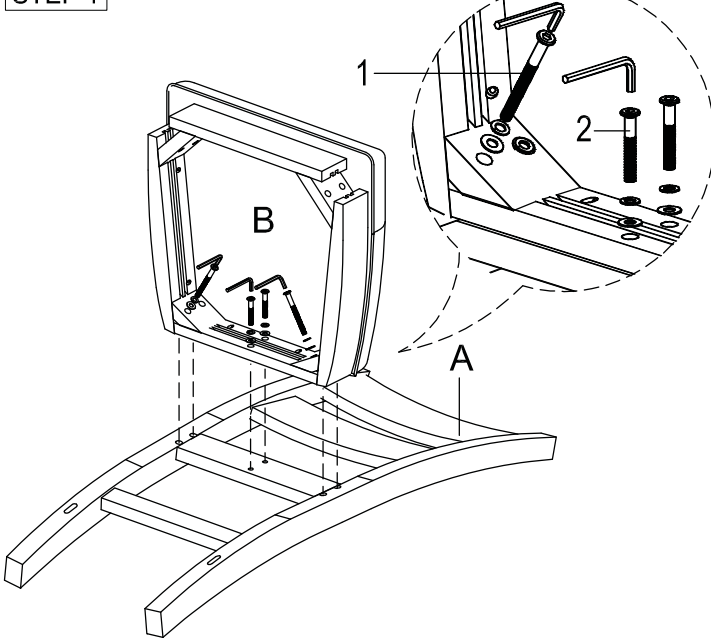
PART LIST

NO	DESCRIPTION	SKETCH	QTY
A	Backrest		1 pc
B	Cushion Seat		1 pc
C	Left Support		1 pc
D	Right Support		1 pc
E	Strecher		1 pc
F	Left Leg		1 pc
G	Right Leg		1 pc

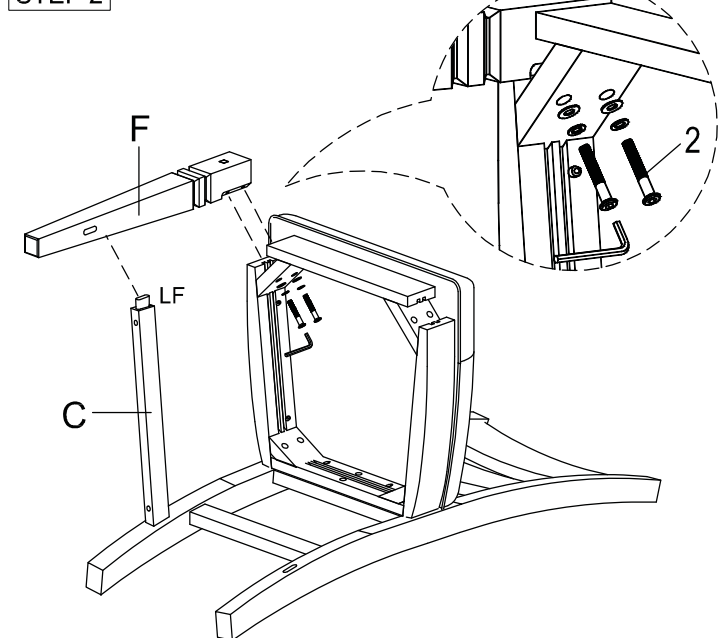


ASSEMBLY STEP

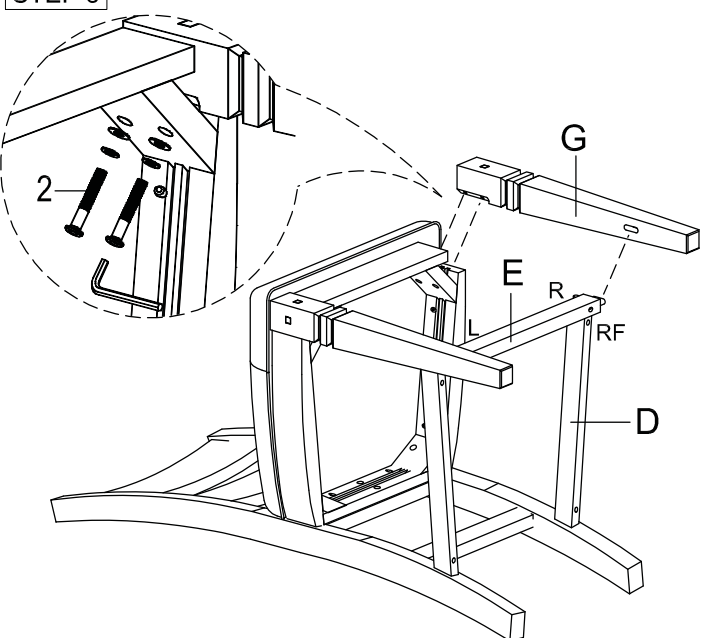
STEP 1



STEP 2



STEP 3



STEP 4

