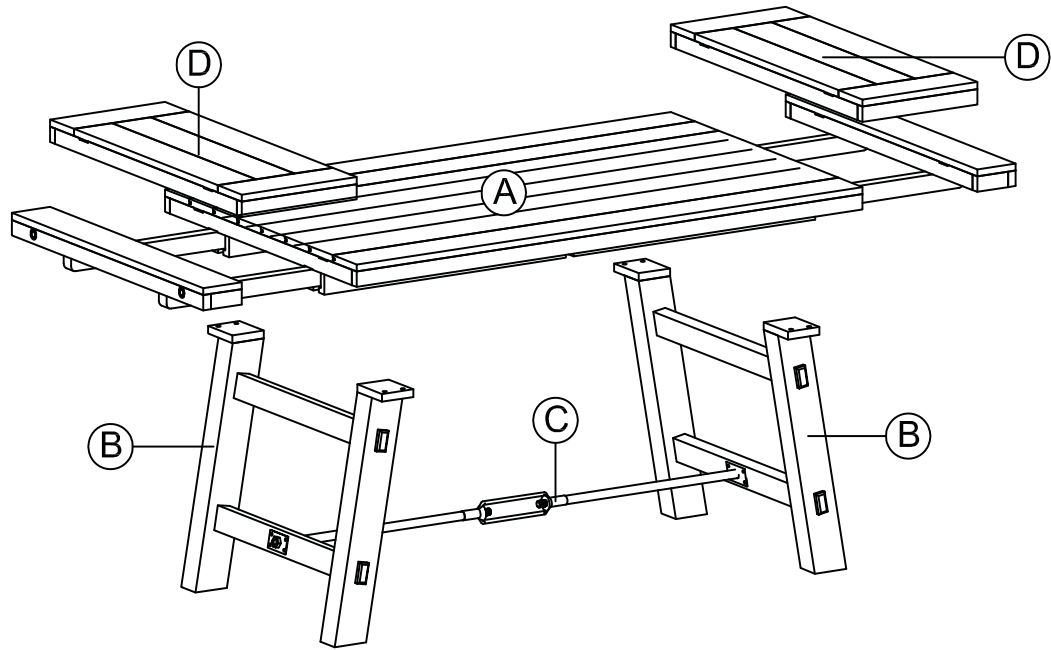




ASSEMBLY INSTRUCTIONS #1380



- A 1pc
- B 2pcs
- C 1pc
- D 2pcs

E. JCBC M8 x 50mm (8pcs)

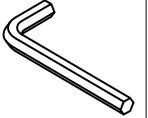
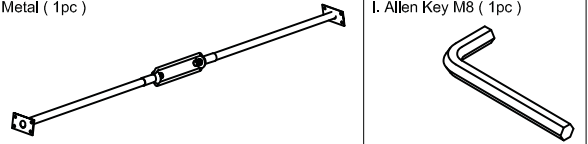
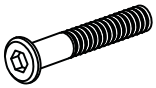
F. Washer Plat M8 (8pcs)

G. Spring Washer M8 (8pcs)

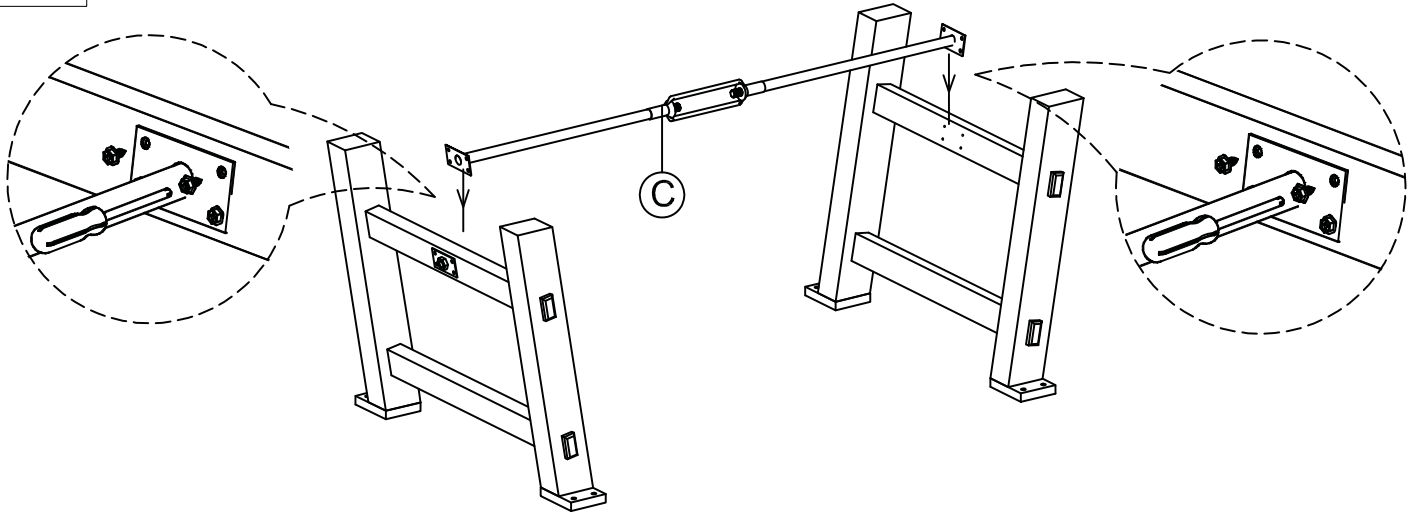
H. Screw M14 x 20mm (8pcs)

Metal (1pc)

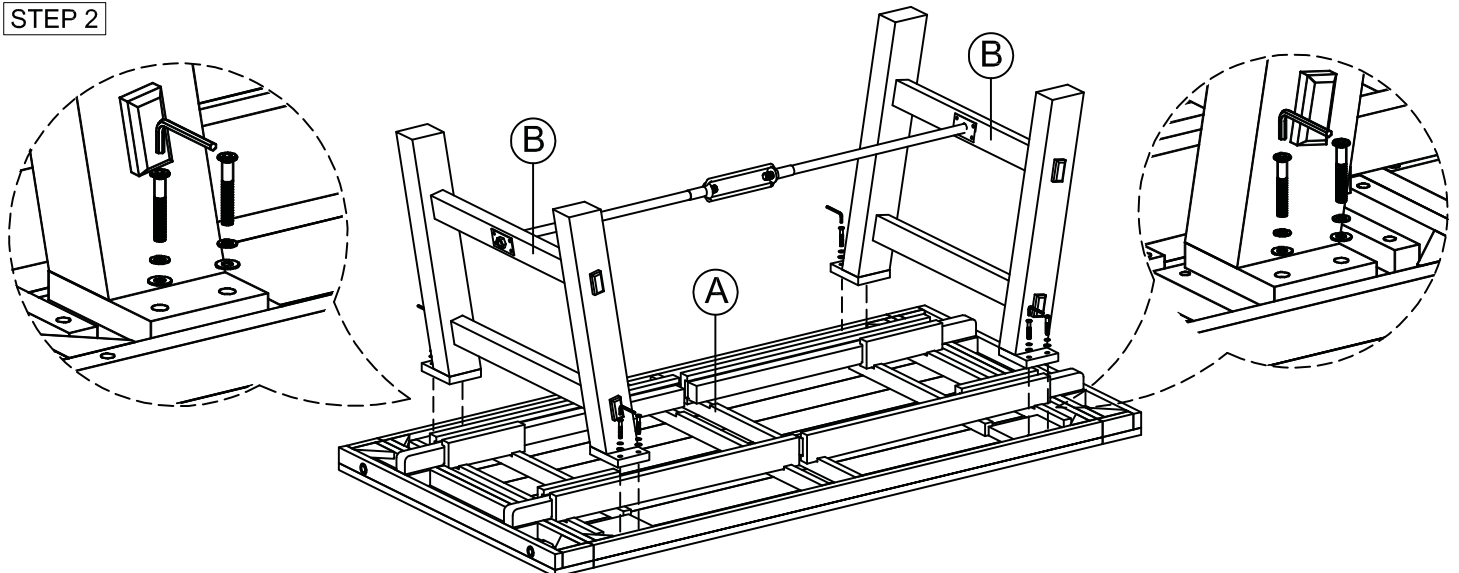
I. Allen Key M8 (1pc)



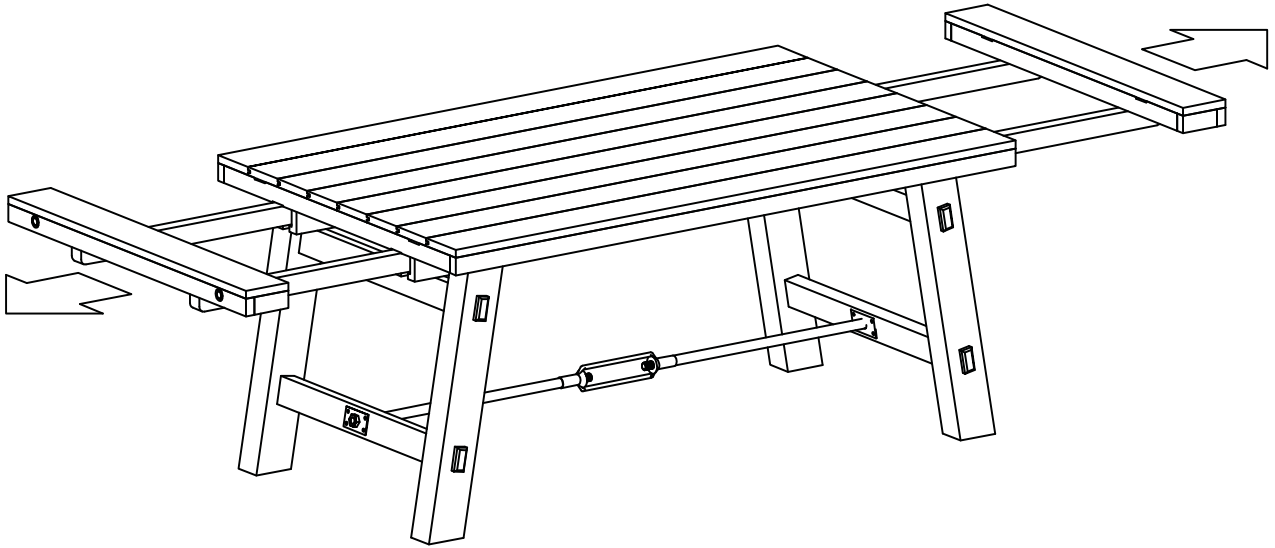
STEP 1



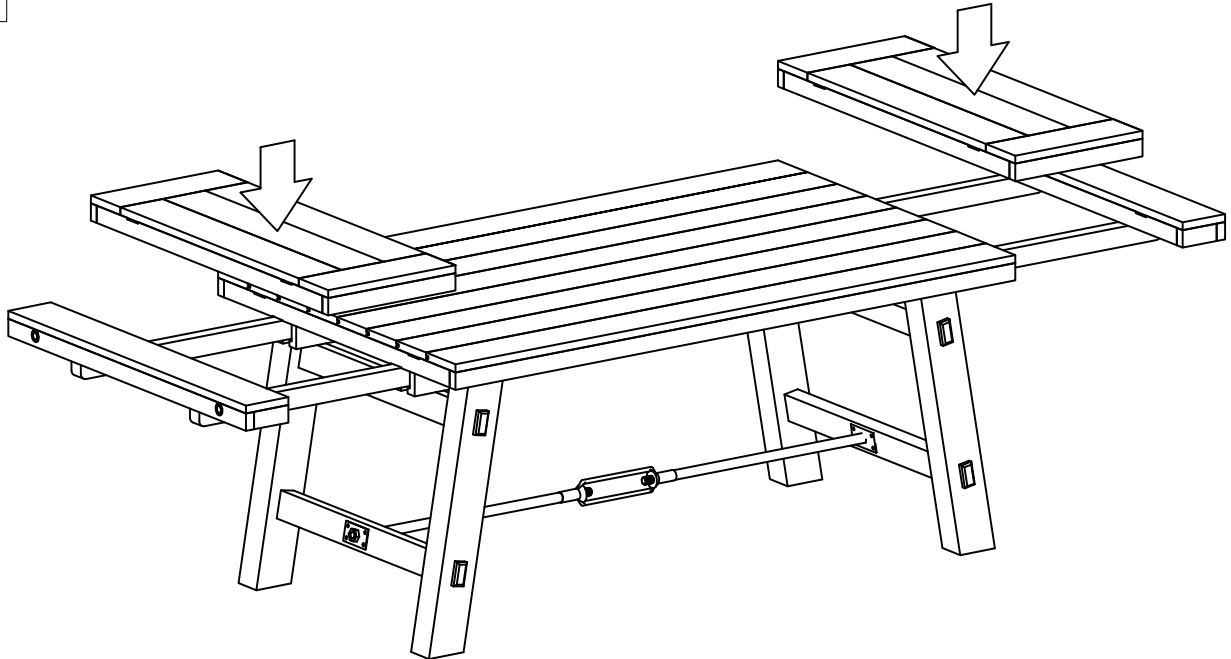
STEP 2



STEP 3



STEP 4



STEP 5

