

ASSEMBLY INSTRUCTION

JUDSON 5- PK DINING TABLE SET

1317SET-GT

PARTS LIST

No.	PART	QTY
A	SEAT FRAME WITH CUSHION	4
B	BACK FRAME WITH CUSHION	4
C	FRONT LEFT LEG	4
D	FRONT RIGHT LEG	4
E	LEFT STRETCHER	4
F	RIGHT STRETCHER	4

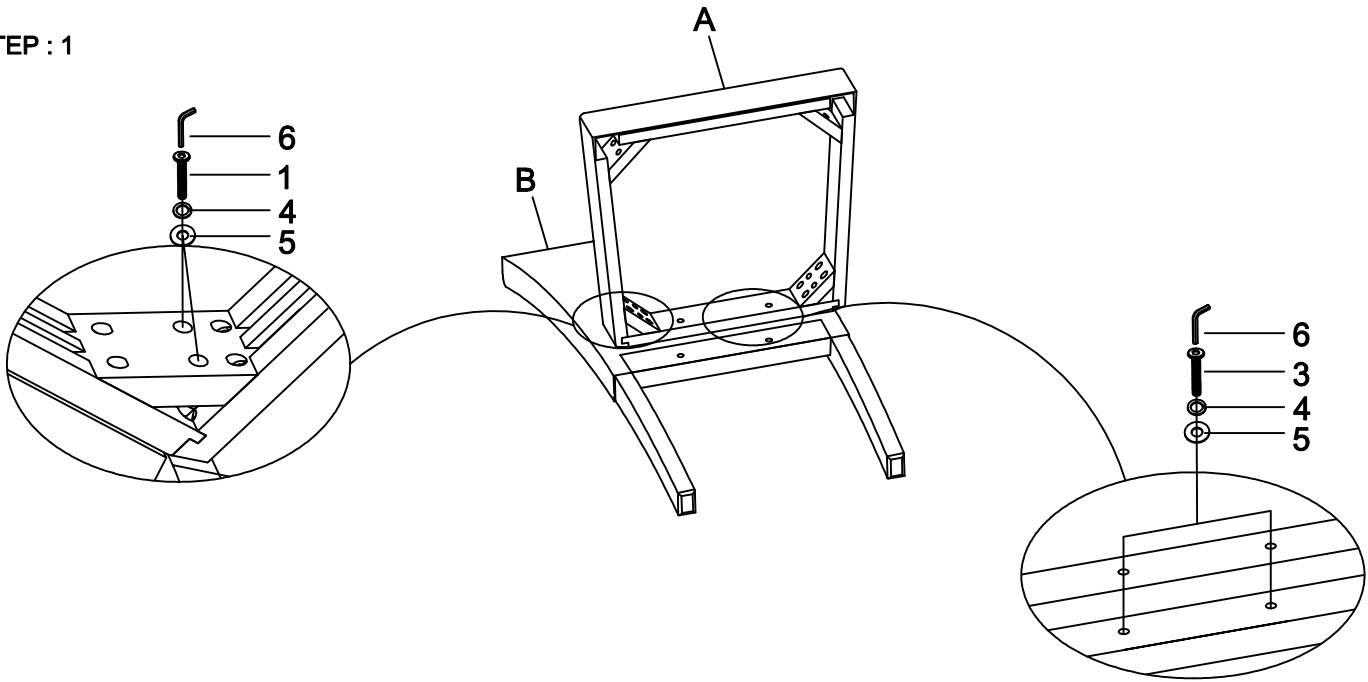
HARDWARE LIST

NO.	PART	DESCRIPTION	Q'TY
1		ALLEN BOLT (5/16"x 83mm)	16
2		ALLEN BOLT (5/16"x 57mm)	16
3		ALLEN BOLT (5/16"x 45mm)	8
4		SPRING WASHER (5/16")	40
5		FLAT WASHER (5/16")	40
6		ALLEN KEY M5x 65mm	4
7		SCREW (38mm)	16

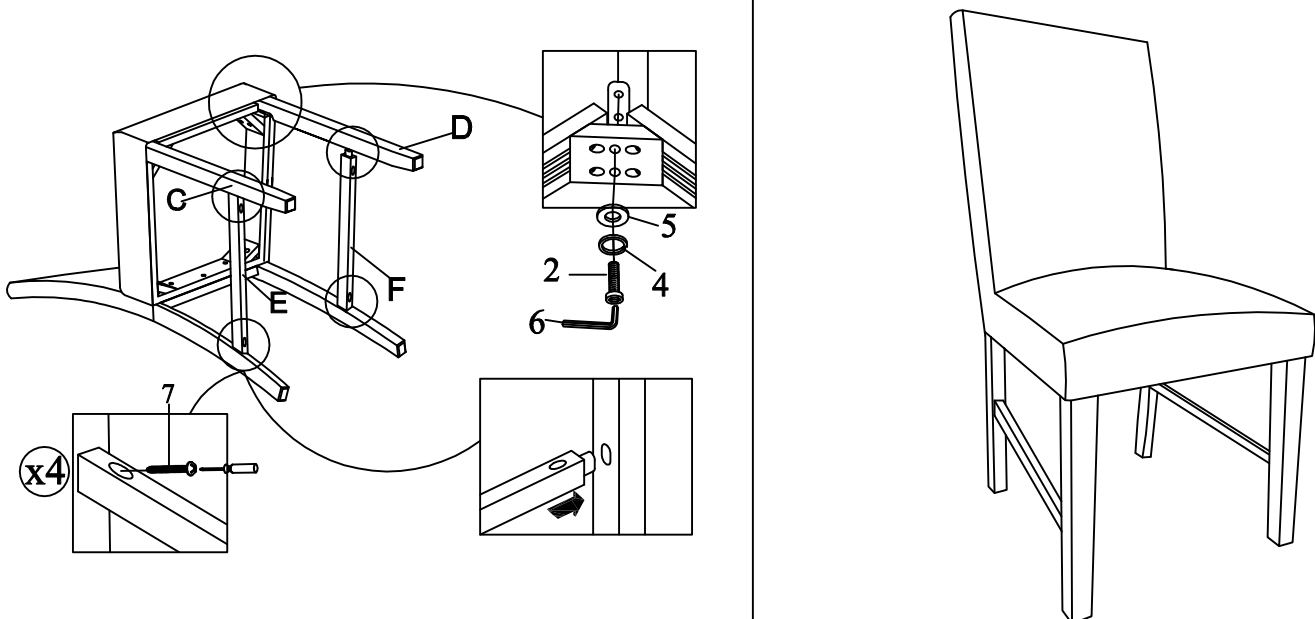
TOOLS REQUIRED (NOT PROVIDED)

Phillips Screw Driver

STEP : 1



STEP : 2







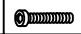
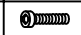
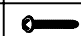
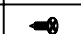
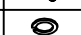


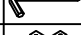
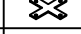
Note: Do not fully tighten any bolts until last step


ASSEMBLY INSTRUCTION

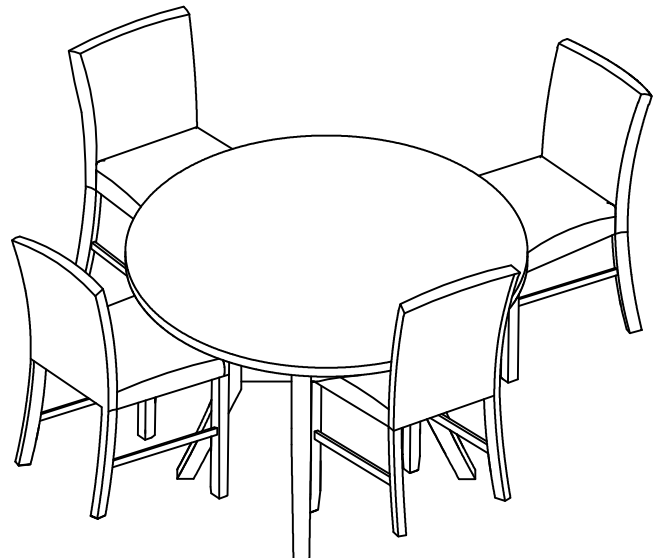
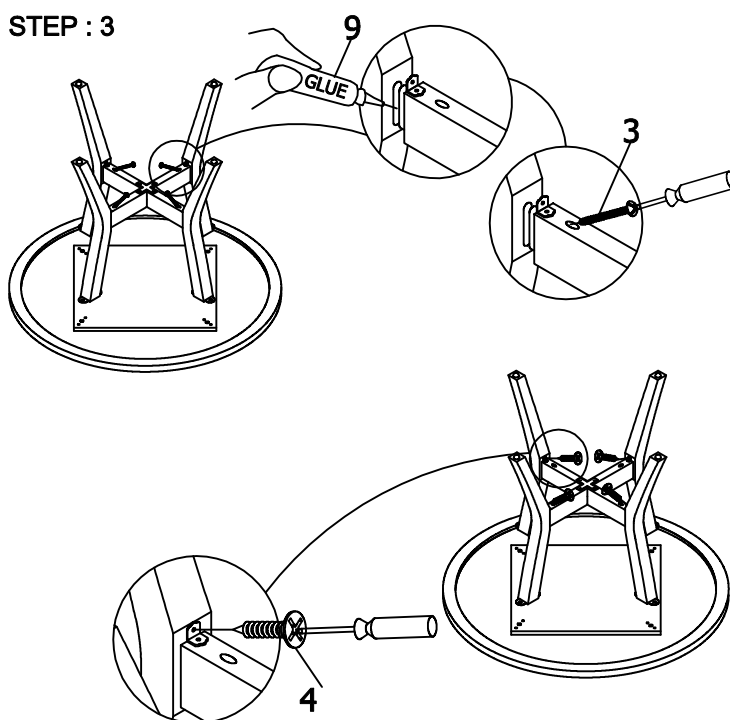
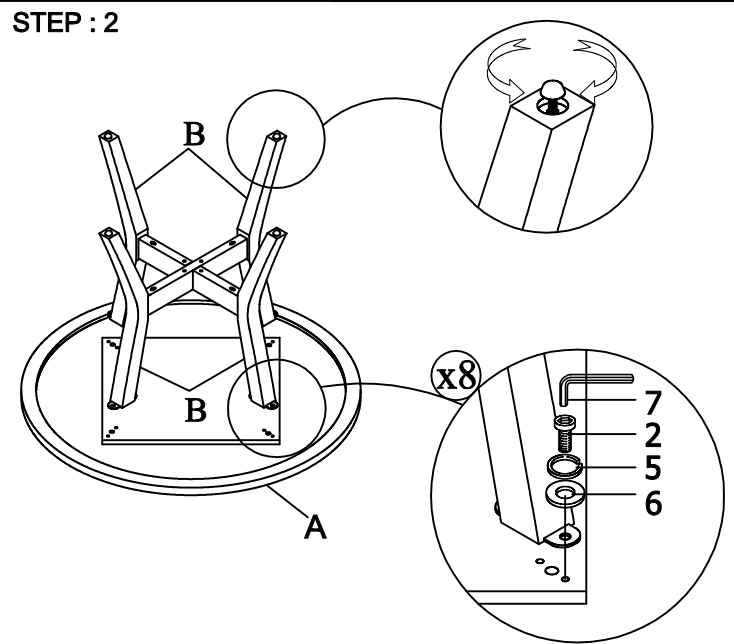
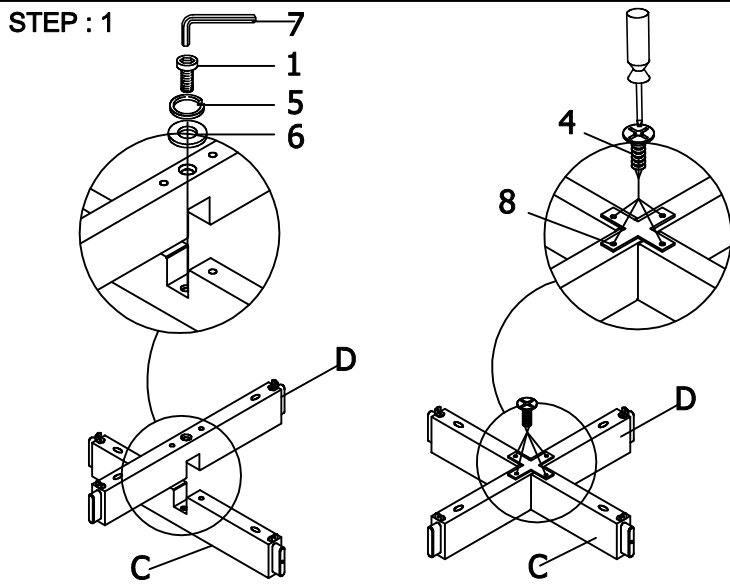
JUDSON 5- PK DINING TABLE SET

1317SET-GT

PARTS LIST			
No.	PART		QTY
A	TABLE TOP		1
B	TABLE LEG		4
C	TOP STRETCHER		1
D	BOTTOM STRETCHER		1

HARDWARE LIST			
NO.	DESCRIPTION		QTY
1	 ALLEN BOLT (5/16" x 57mm)	TABLE	1
2	 ALLEN BOLT (5/16" x 20mm)		8
3	 SCREW 50mm		4
4	 SCREW 20mm		8
5	 SPRING WASHER (5/16" x13mm)		9
6	 FLAT WASHER (5/16" x19mm)		9
7	 ALLEN KEY M5 x 65mm		1
8	 CONNECTION TOOL 100x100x2.5mm		1
9	 GLUE		1

TOOLS REQUIRED (NOT PROVIDED)
 Phillips Screw Driver



Note: Do not fully tighten any bolts until last step