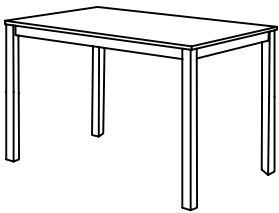


# ASSEMBLY INSTRUCTIONS

Thanks for buying our products.

Please study the diagram before assembling.

**Note:** Do Not Tighten Any Bolts Until All Bolts Have Been Started

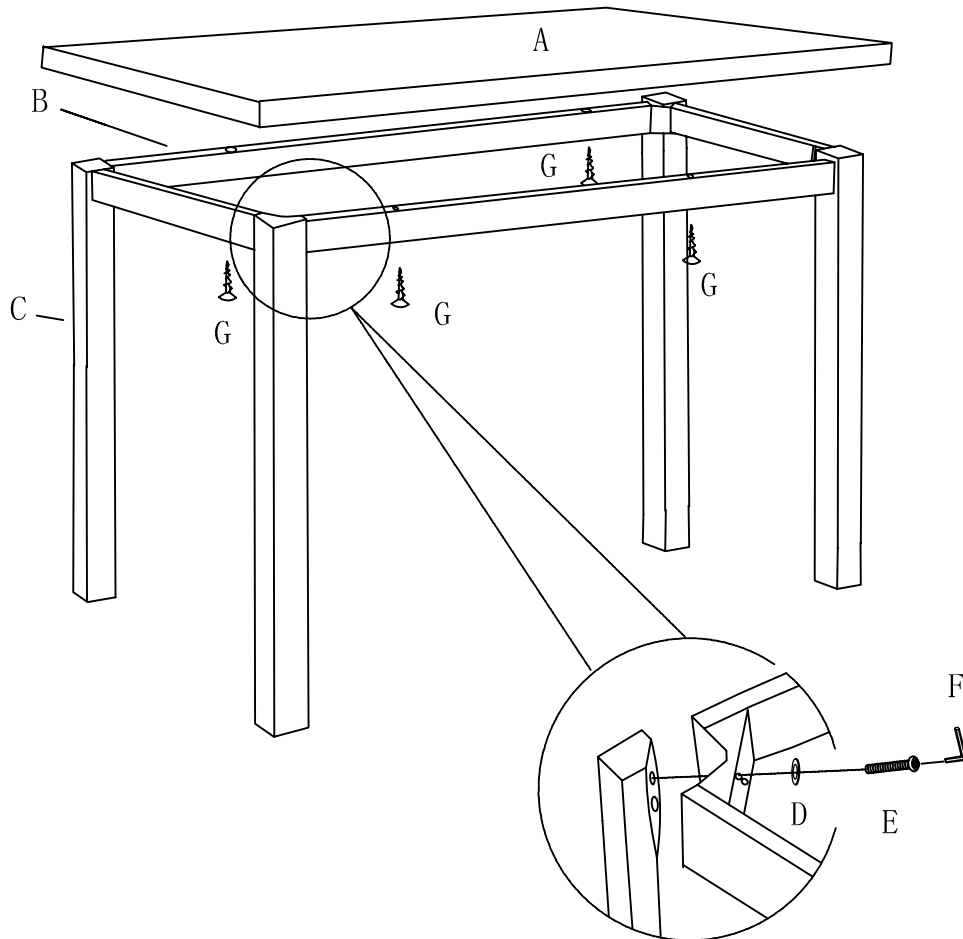


PARTS LIST

NO.	DESCRIPTION	Q' ty
A	Table Top	1
B	Apron Frame	1
C	Table Leg	4

HARDWARE LIST

NO.	DESCRIPTION	Q' ty
D	Flat washer	8
E	Bolt	8
F	Allen Wrench	1
G	Screw	4

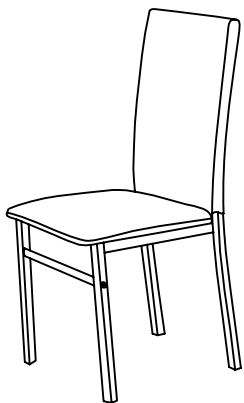


# ASSEMBLY INSTRUCTIONS





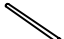
Thanks for buying our products.

Please study the diagram before assembling.






**Note:** Do Not Tighten Any Bolts Until All Bolts Have Been Started



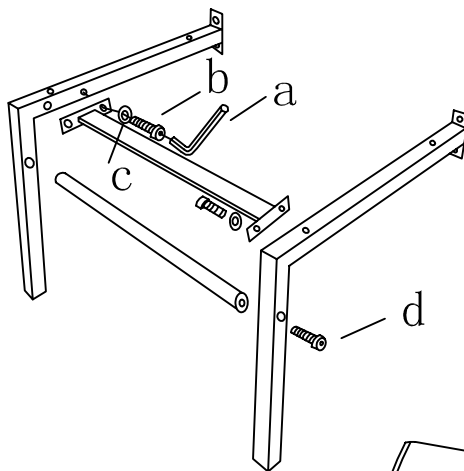
## PARTS LIST

NO.	DESCRIPTION		Q' ty
A	Chair Back		1
B	Seat Cushion		1
C	Front Legs		2
D	Middle Support		1
E	Front Stretcher		1

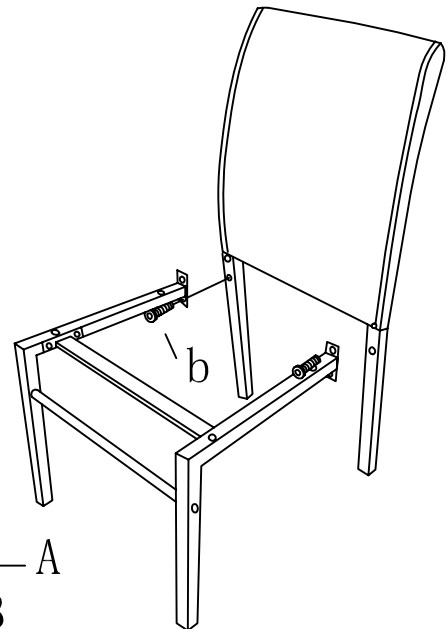
## HARDWARE LIST

NO.	DESCRIPTION			Q' ty
a	Allen Wrench	Ø1/4"		1
b	Bolt	6*13mm		8
c	Flat washer	Ø1/4"		4
d	Bolt	6*40mm		2
e	Screw			4

## STEP 1



## STEP 2



## STEP 3

