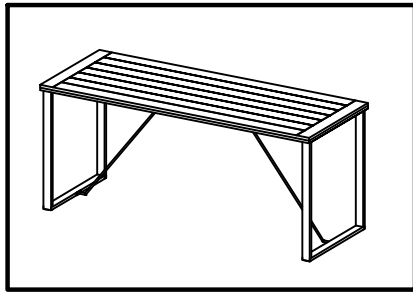




ASSEMBLY INSTRUCTION #1154

HARDWARE LIST

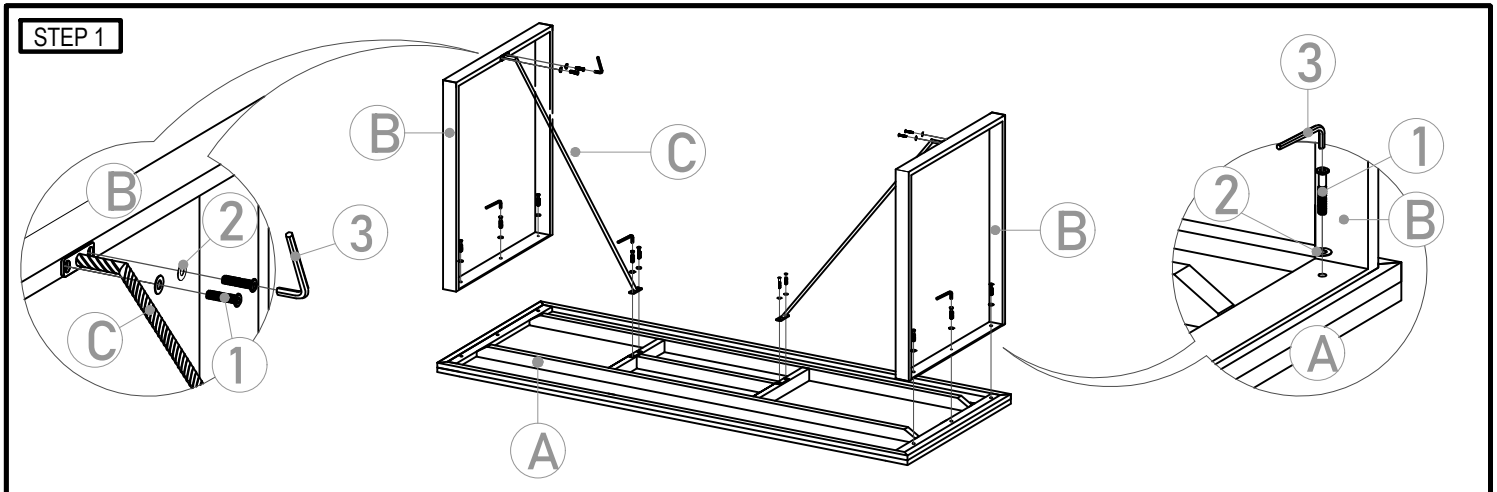
PART LIST



NO	SKETCH	HARDWARE	QTY
1		JCBC M6 x 20mm	14 pcs
2		Flat Washer M6	14 pcs
3		Allen Key	1 pc

NO	DESCRIPTION	SKETCH	QTY
A	Top		1 pc
B	Legs		2 pcs
C	Metal Stretcher		2 pcs

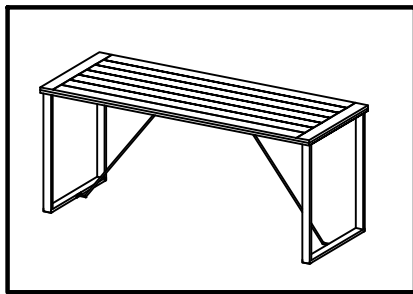
ASSEMBLY STEP



ASSEMBLY INSTRUCTION #1154

HARDWARE LIST

PART LIST



NO	SKETCH	HARDWARE	QTY
1		JCBC M6 x 20mm	14 pcs
2		Flat Washer M6	14 pcs
3		Allen Key	1 pc

NO	DESCRIPTION	SKETCH	QTY
A	Top		1 pc
B	Legs		2 pcs
C	Metal Stretcher		2 pcs

ASSEMBLY STEP

