






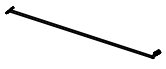


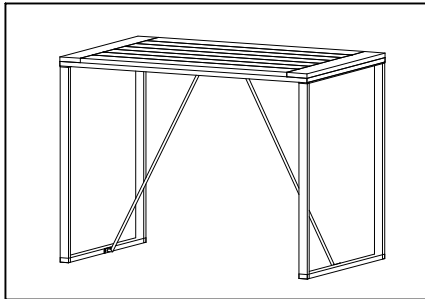
ASSEMBLY INSTRUCTION #1145TL36

HARDWARE LIST

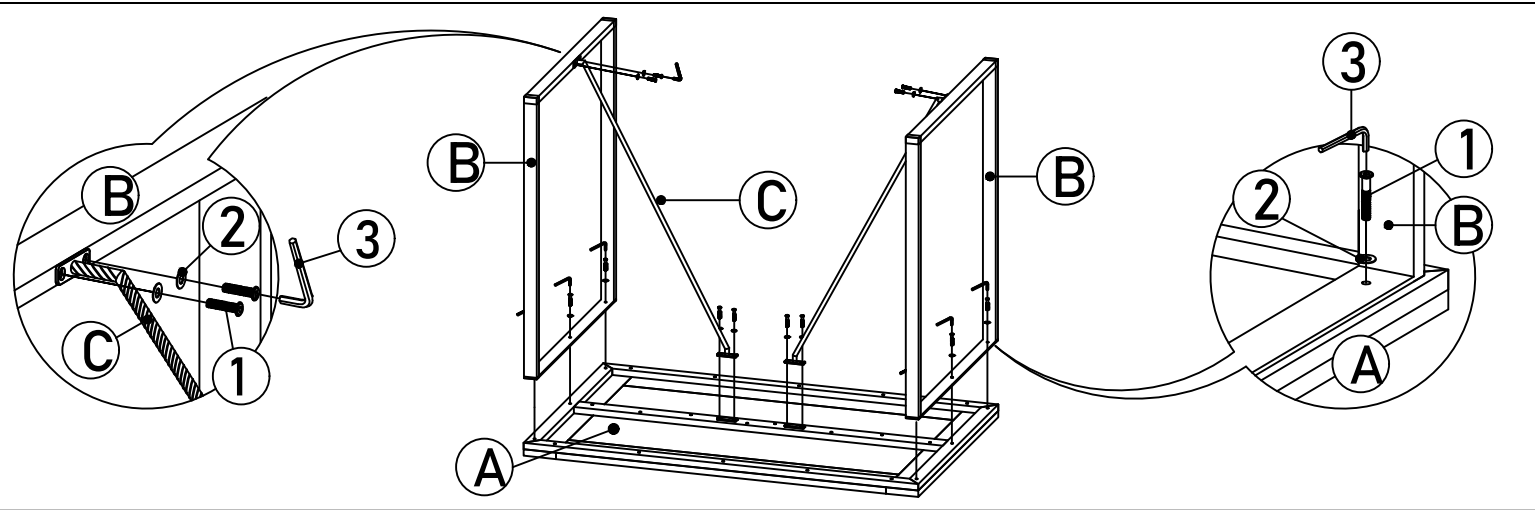
NO	SKETCH	HARDWARE	QTY
1		JCBC M6 x 25mm	14 pcs
2		Flat Washer M6	14 pcs
3		Allen Key	1 pc

PART LIST

NO	DESCRIPTION	SKETCH	QTY
A	Top		1 pc
B	Legs		2 pcs
C	Metal Stretcher		2 pcs






ASSEMBLY STEP



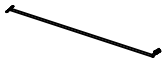


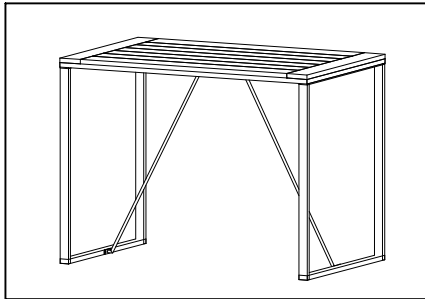
ASSEMBLY INSTRUCTION #1145TL36

HARDWARE LIST

NO	SKETCH	HARDWARE	QTY
1		JCBC M6 x 25mm	14 pcs
2		Flat Washer M6	14 pcs
3		Allen Key	1 pc

PART LIST

NO	DESCRIPTION	SKETCH	QTY
A	Top		1 pc
B	Legs		2 pcs
C	Metal Stretcher		2 pcs



ASSEMBLY STEP

