



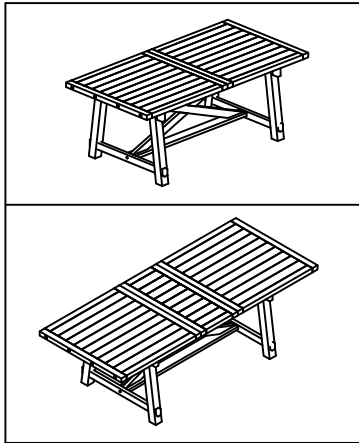
ASSEMBLY INSTRUCTIONS # 1102RN

HARDWARE LIST

NO	SKETCH	HARDWARE	QTY
1		JCBC M8 x 50 mm	12 pcs
2		Allen Key	1 pc

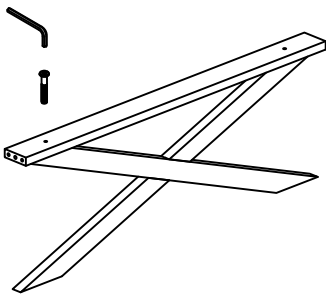
PART LIST

NO	DESCRIPTION	SKETCH	QTY
A	Top		1 Pc
B	Center Top		1 Pc
C	Leg		2 Pcs
D	Cross Support		2 Pcs
E	Cross		1 Pc

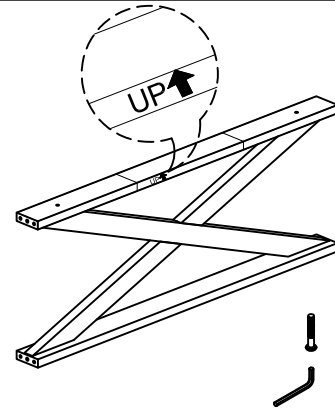


ASSEMBLY STEP

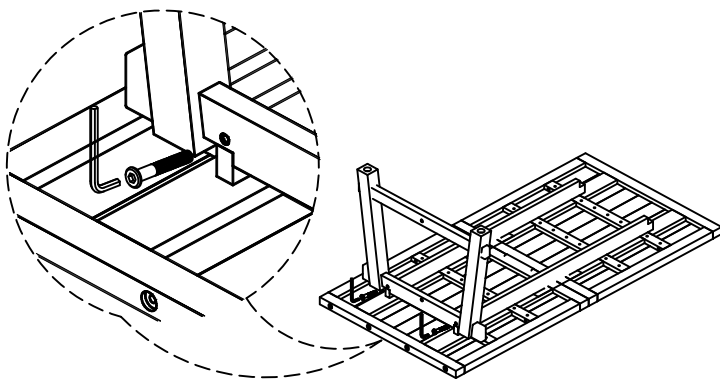
STEP 1



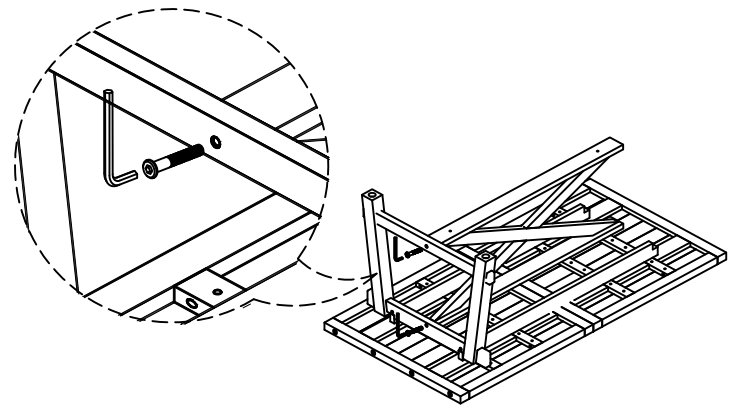
STEP 2



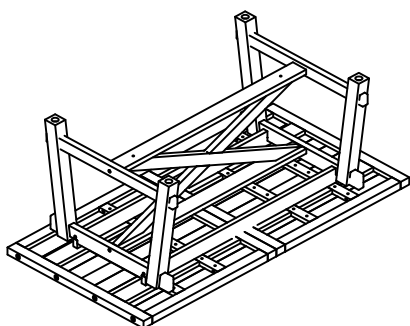
STEP 3



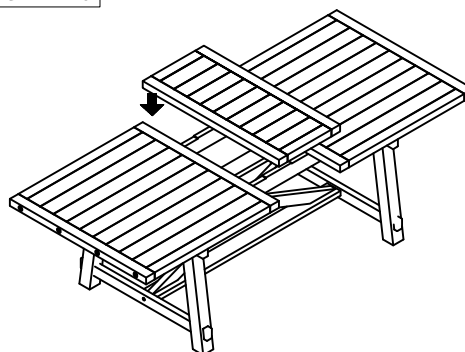
STEP 4



STEP 5



STEP 6



FINISH

