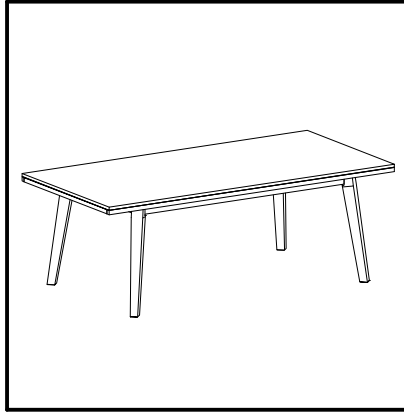




ASSEMBLY INSTRUCTION #1095



HARDWARE LIST

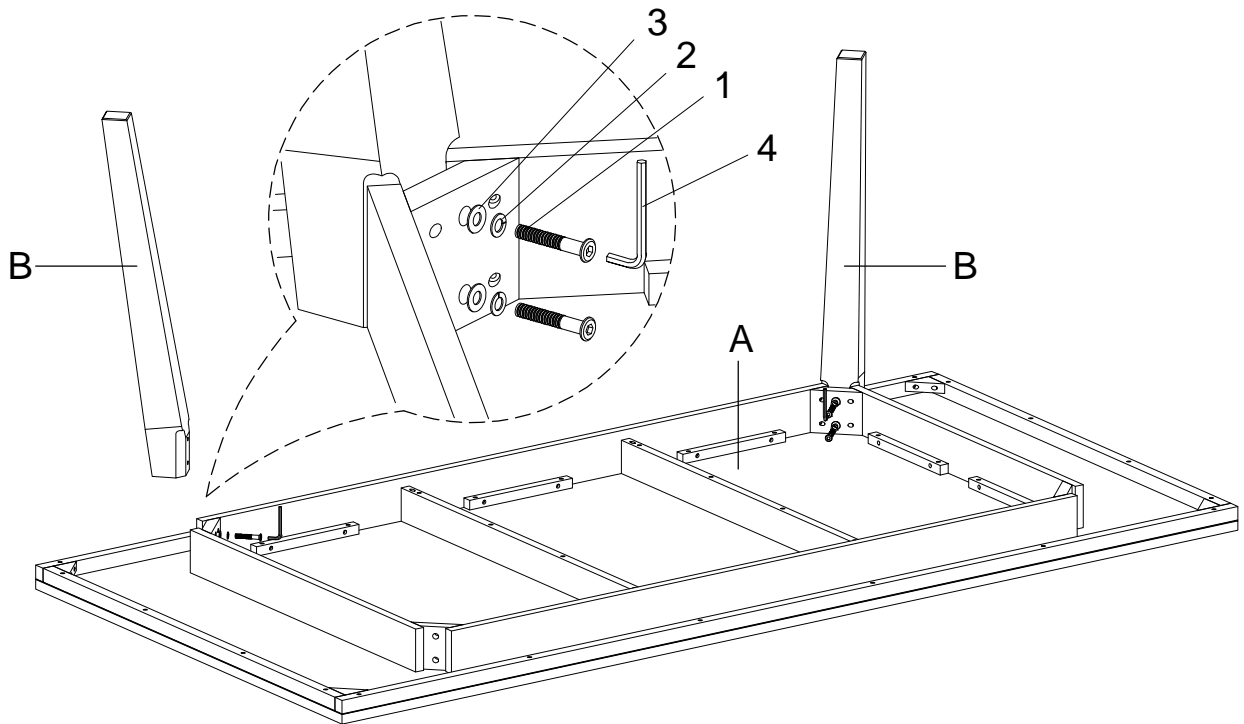
NO	SKETCH	HARDWARE	QTY
1		JCBC M8 x 50mm	8 pcs
2		Spring Washer M8	8 pcs
3		Plat Washer	8 pcs
4		Wrench Key	1 pc

PART LIST

NO	DESCRIPTION	SKETCH	QTY
A	Top		1 pc
B	Leg		4 pcs

ASSEMBLY STEP

STEP 1



STEP 2

