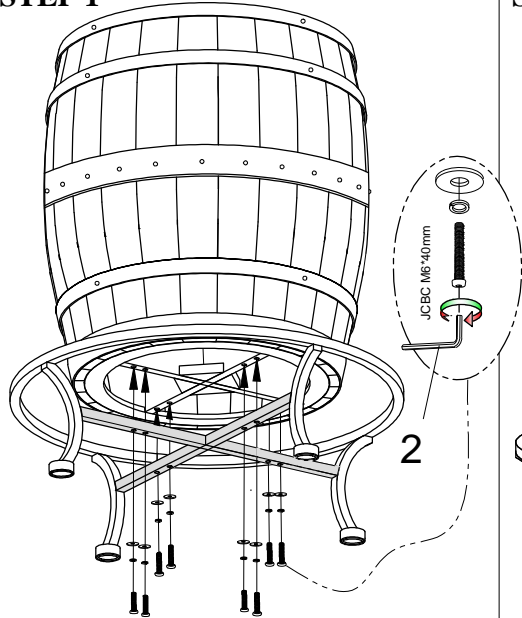
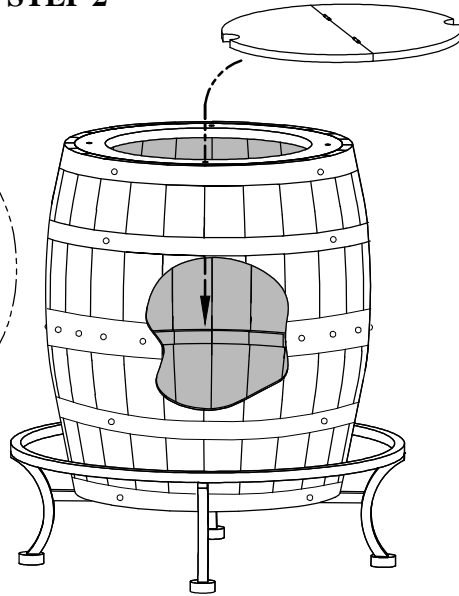


#1038-T/B1/B2 **Assembly Instruction**

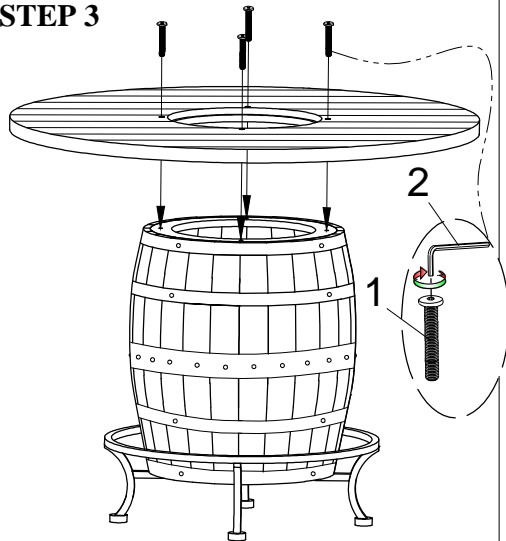
STEP 1



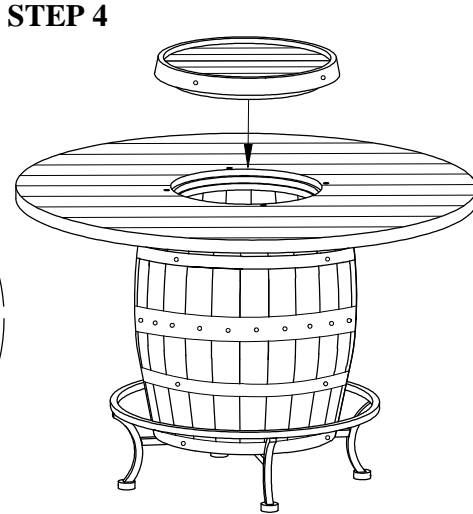
STEP 2





STEP 3



STEP 4



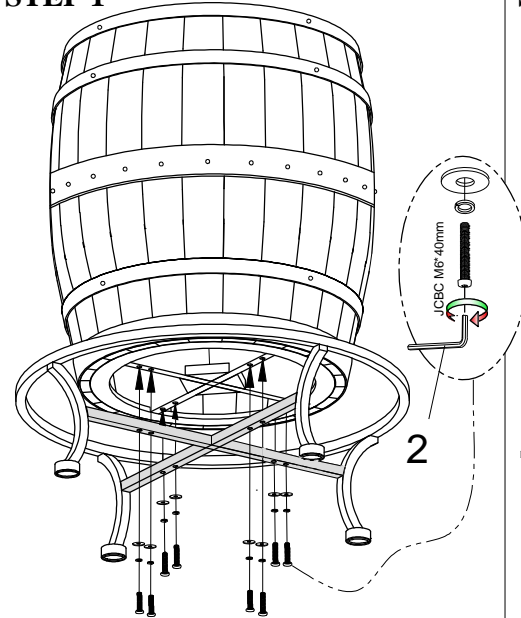
Hardware List

Description	 1	 2
	JCBC M8*50mm	Allen Key L4
QTY	4 pcs	1 pc

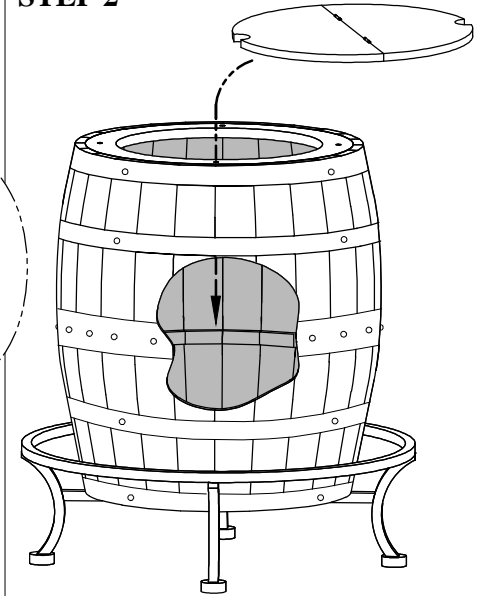
Note:
Before Assembly, please open JCBC M6 x 40, spring washer and flat washer from leg.

#1038-T/B1/B2 **Assembly Instruction**

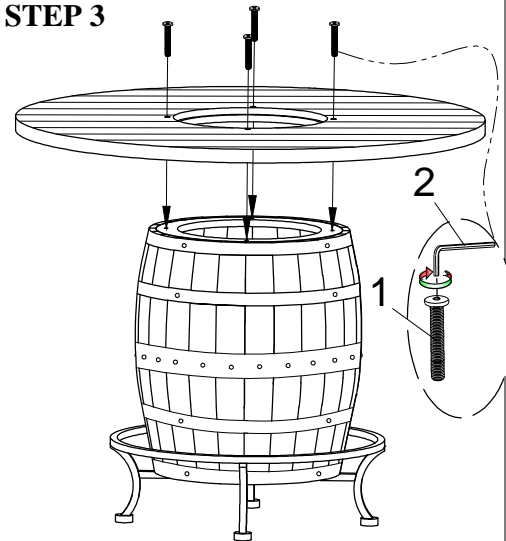
STEP 1



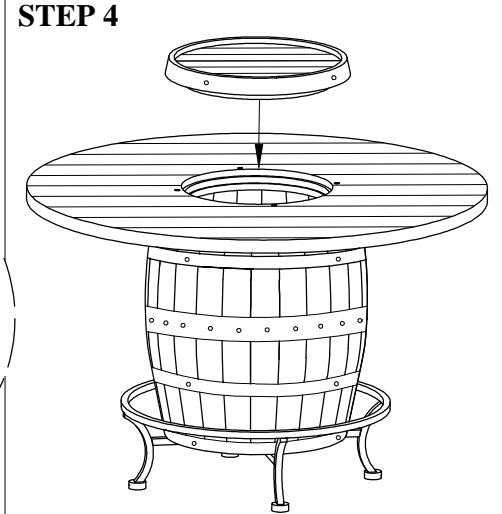
STEP 2





STEP 3



STEP 4



Hardware List

Description	 1	 2
	JCBC M8*50mm	Allen Key L4
QTY	4 pcs	1 pc

Note:
Before Assembly, please open JCBC M6 x 40, spring washer and flat washer from leg.