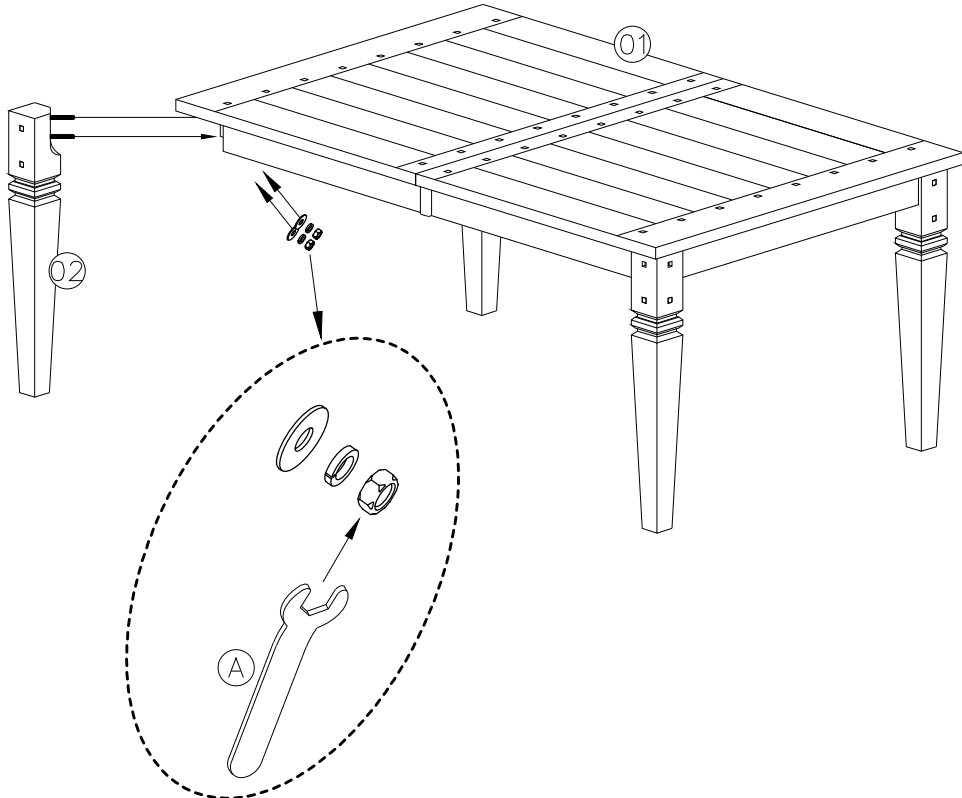


#1012 Assembly Instruction



Part List

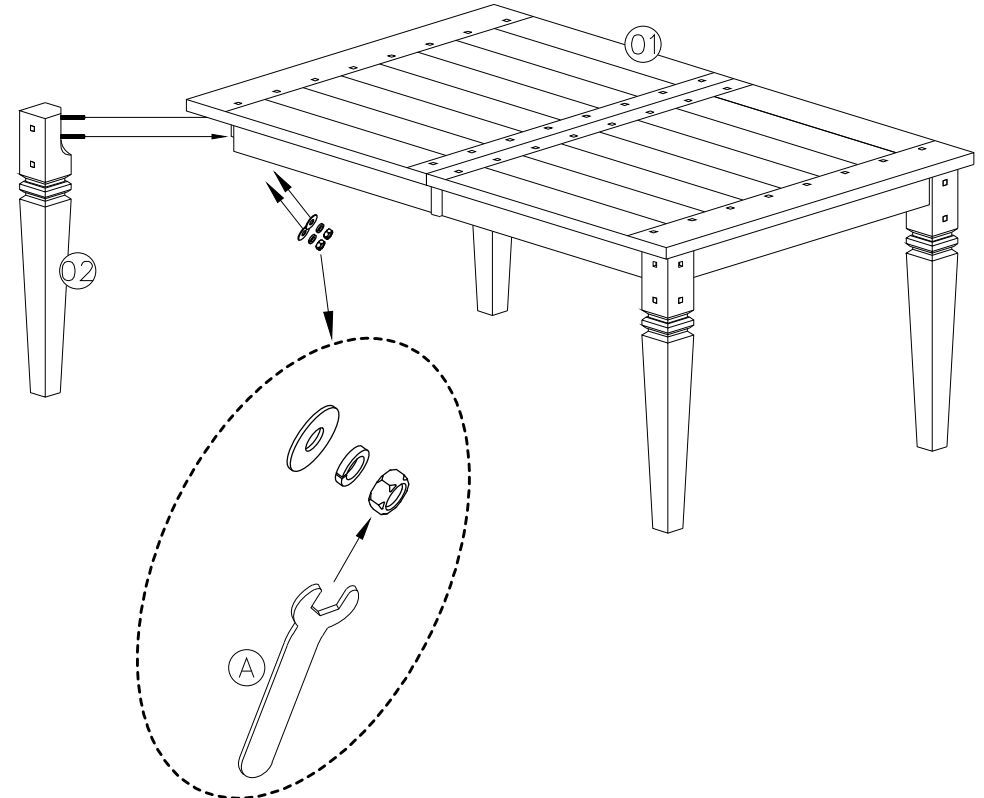
Hardware List

No.	Description	QTY
01		1pc
02		4pc

No.	Description	QTY
A		1pc

NOTE:
Before assembly, please open hexagonal nut, spring washer, and flat washer from leg

#1012 Assembly Instruction



Part List

Hardware List

No.	Description	QTY
01		1pc
02		4pc

No.	Description	QTY
A		1pc

NOTE:
Before assembly, please open hexagonal nut, spring washer, and flat washer from leg