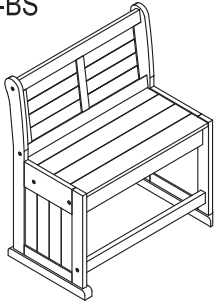




ASSEMBLY INSTRUCTIONS #0114

#0114-BS



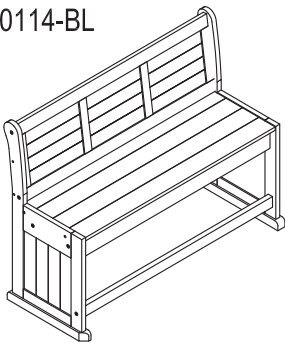
HARDWARE LIST

NO	SKETCH	HARDWARE	QTY
1		JCBC M8 x 50mm	14 pcs
2		Allen Key	1 pc
F	Wood Stretcher		1 pc

PART LIST

NO	DESCRIPTION	SKETCH	QTY
A	Side Left		1 pc
B	Side Right		1 pc
C	Seat Holder		1 pc
D	Seat Backrest		1 pc
E	Corner Wood Seat		1 pc

#0114-BL



HARDWARE LIST

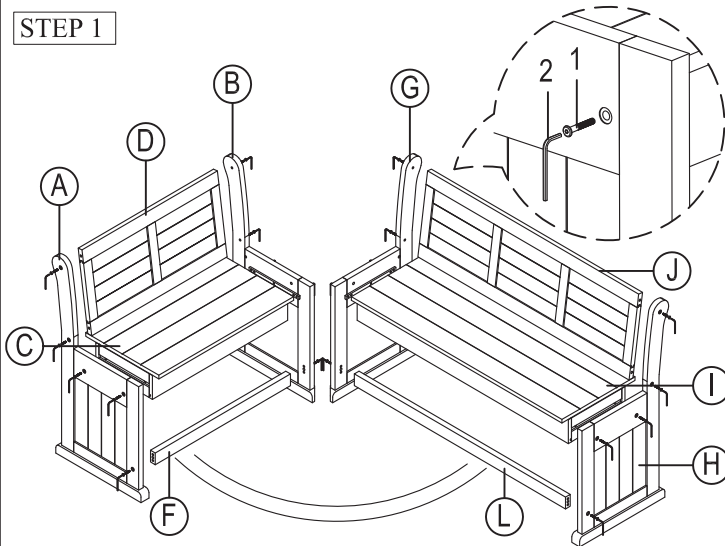
NO	SKETCH	HARDWARE	QTY
1		JCBC M8 x 50mm	14 pcs
2		Allen Key	1 pc
L	Wood Stretcher		1 pc

PART LIST

NO	DESCRIPTION	SKETCH	QTY
G	Side Left		1 pc
H	Side Right		1 pc
I	Seat Holder		1 pc
J	Seat Backrest		1 pc
K	Corner Backrest		1 pc

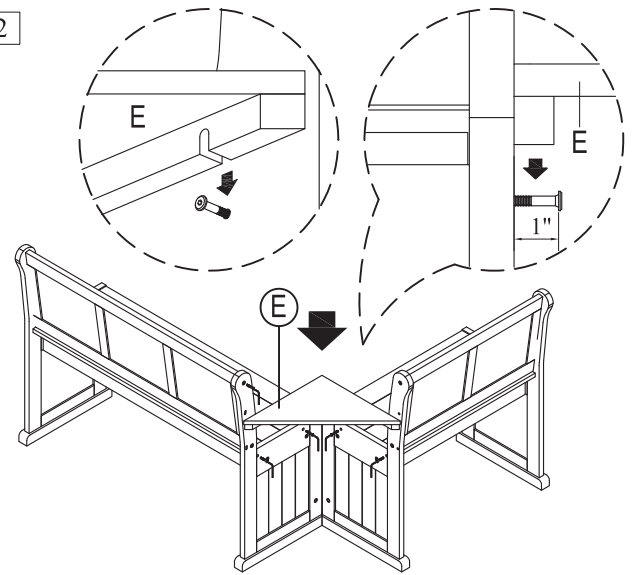
ASSEMBLY STEP

STEP 1

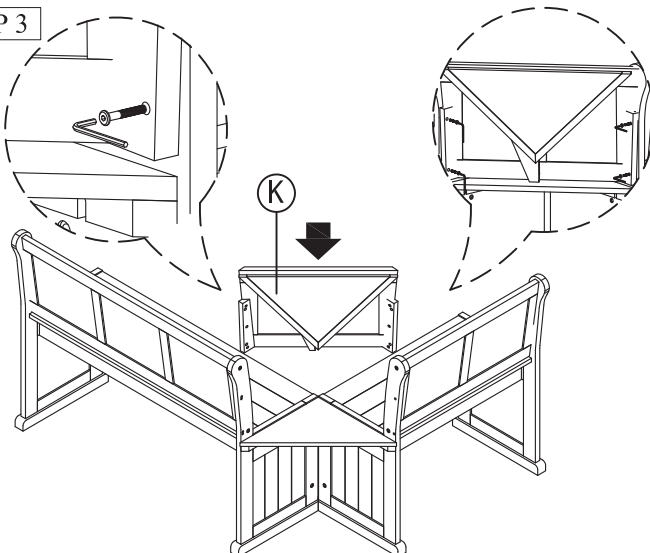


This part (C,D,F and I,J,L) position can be changed.

STEP 2



STEP 3



FINISH

