



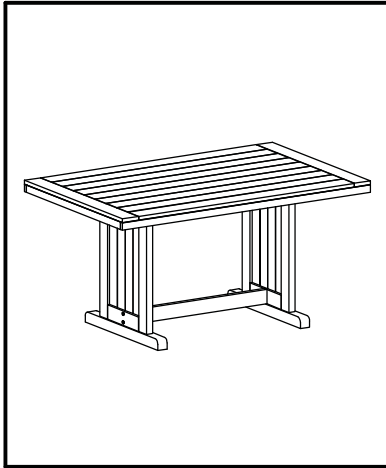
ASSEMBLY INSTRUCTIONS #0113-T

HARDWARE LIST

| NO | SKETCH | HARDWARE | QTY |
|----|--------|----------------|--------|
| 1 | | JCBC M8 x 50mm | 16 pcs |
| 2 | | Allen Key | 1 pc |

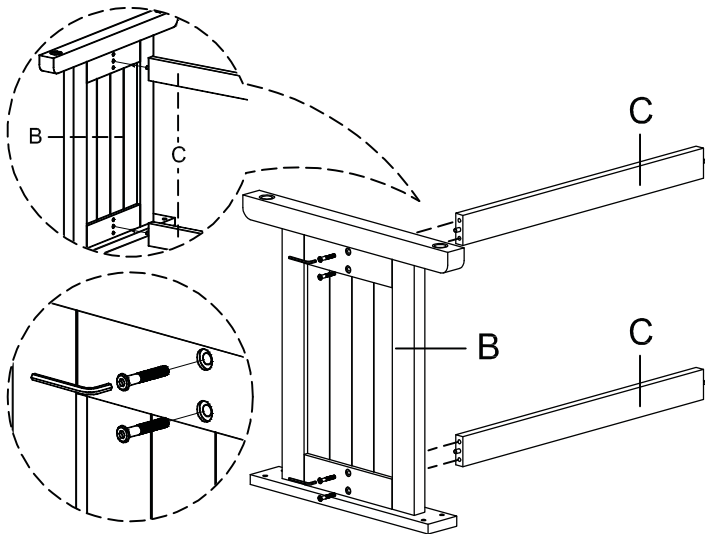
PART LIST

| NO | DESCRIPTION | SKETCH | QTY |
|----|---------------|--------|-------|
| A | Table Top | | 1 pc |
| B | Assembly Base | | 2 pcs |
| C | Wood Strecher | | 2 pcs |

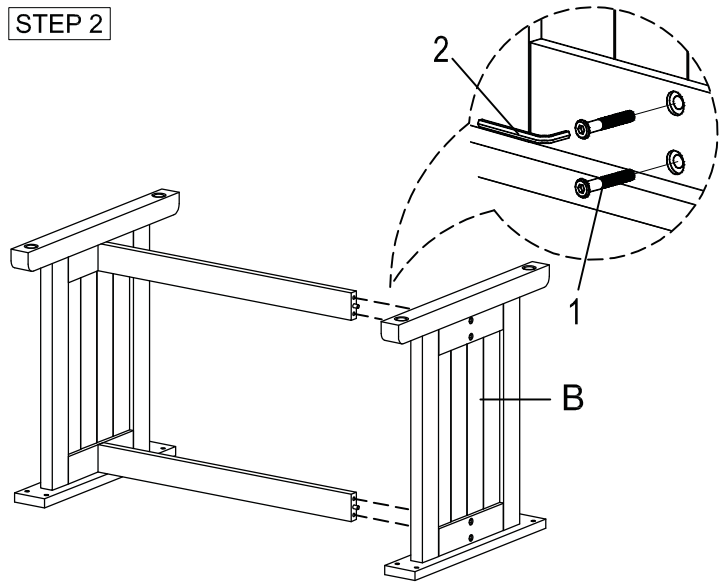


ASSEMBLY STEP

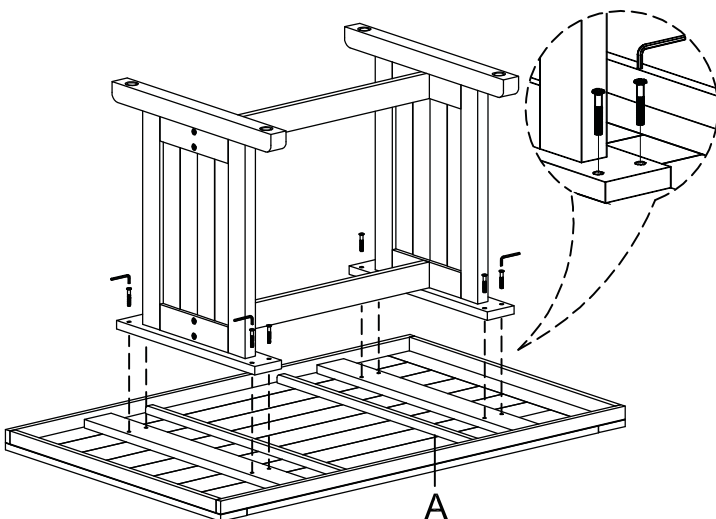
STEP 1



STEP 2



STEP 3



FINISH

