



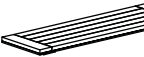
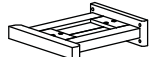



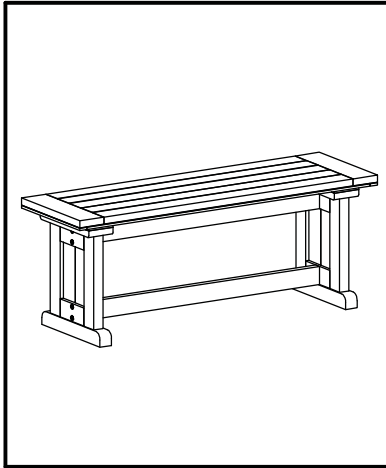
ASSEMBLY INSTRUCTIONS #0113-SB

HARDWARE LIST

NO	SKETCH	HARDWARE	QTY
1		JCBC M8 x 50mm	16 pcs
2		Allen Key	1 pc

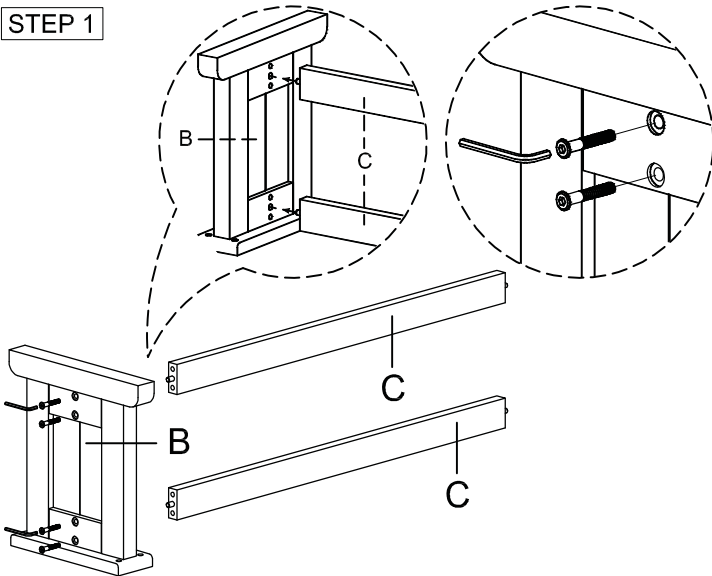
PART LIST

NO	DESCRIPTION	SKETCH	QTY
A	Table Top		1 pc
B	Assembly Base		2 pcs
C	Wood Strecher		2 pcs

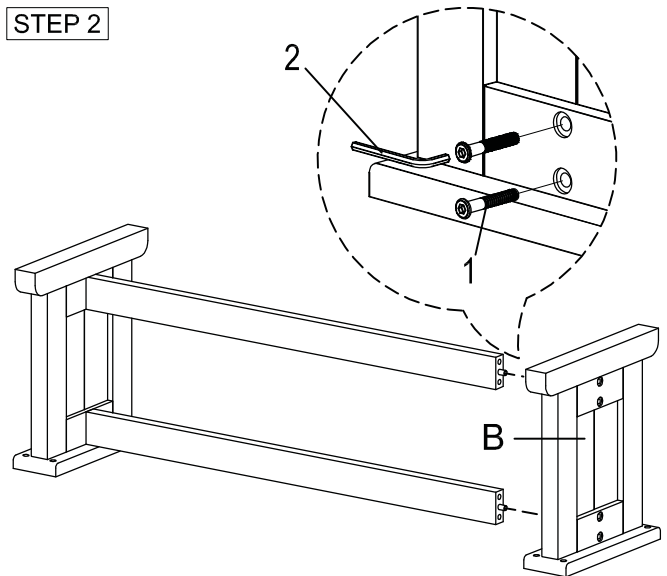


ASSEMBLY STEP

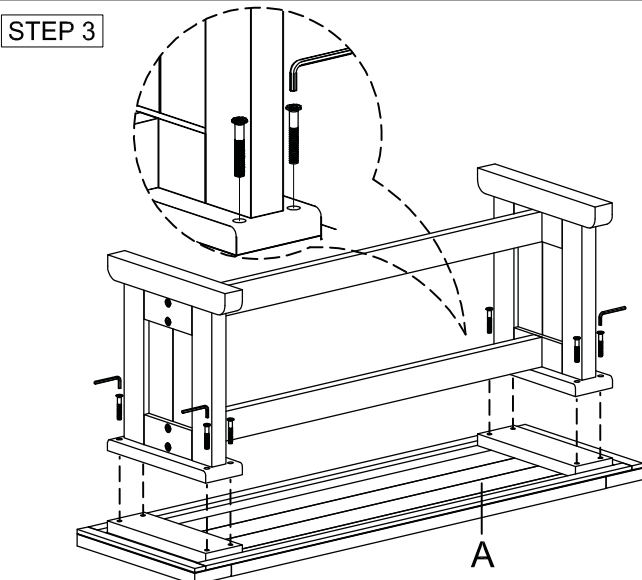
STEP 1



STEP 2



STEP 3



FINISH

